



Security Engineered Machinery Co., Inc

OPERATIONAL & MAINTENANCE MANUAL
SEM Model 0101 Hard Drive Crusher 110 volt or 220 volt
Serial Numbers 1396 thru 1403



POP-0005 Rev. 2
Revised 08/04/2016

Security Engineered Machinery Co., Inc

NATIONWIDE SERVICE

Phone Toll Free 1(800)225-9293

Email: [**Service@SEMSHRED.COM**](mailto:Service@SEMSHRED.COM)

Fax: (508)366-6814

Website: [**WWW.SEMSHRED.com**](http://WWW.SEMSHRED.com)

Contents

IMPORTANT SAFETY PROCEDURES	3
INSTALLATION AND SET-UP	4
OPERATION	5
OVERLOADING	6
TROUBLESHOOTING.....	6
PREVENTIVE MAINTENANCE OPTIONS AVAILABLE.....	6
CABINET EXPLODED VIEW	7
TOWER EXPLODED VIEW.....	8
PARTS LIST.....	9

For NATIONWIDE SERVICE Call 1(800)225-9293

IMPORTANT SAFETY PROCEDURES

Your ne SEM 0101 Hard Drive Crusher incorporates powerful, heavy duty pressing mechanisms, **serious and permanent injury may result** if proper precautions are not followed.



1. This equipment should never be operated by children or individuals that are untrained or incapable of understanding these safety precautions!



2. Do not reach into the feed opening for any reason! Never insert fingers, hands, other extremities or objects not meant to be crushed into the feed opening!



3. Do not operate or come into close proximity to this equipment wearing loose clothing, neckties, dangling jewelry or long hair which may become entangled in the crushing chamber.



4. Maintenance or repair of this equipment should be performed only by trained, authorized service personnel.
5. Always disconnect electric power (unplug) before removing or opening any cover or other panels providing access to the internal mechanisms

WARNING:

The 0101 Hard Drive Crusher is designed for crushing hard drives up to 1.65 inch. Trying to crush other objects, material than hard drives will **void the warranty**. SEM is not responsible for failure of this unit if customer uses unit for something other than what is was intended for.

For NATIONWIDE SERVICE Call 1(800)225-9293

INSTALLATION AND SET-UP

The SEM Model 0101 Hard Drive Crusher must be installed according to Customer's incoming power as in a 110 must be installed on a 120V/1/60Hz, grounded electrical line service line service with the crusher equipped with a 15 Amp (3) three prong plug on the power cord. A 220 must be installed on a 220V/1/50Hz. Grounded electrical line service, with the crusher being equipped with a 2 prong European plug on the power cord.

After removing the 0101 Hard Drive Crusher from its packaging, be sure that all paperwork and any loose items that may have been shipped with the Hard Drive Crusher have been removed from the packaging as well. ***Please note that all packaging should be retained by customer for (30) days from the time of receipt. In the event that this unit needs to be sent back for replacement or repair this packaging will be required to do so. Should the packaging have been discarded before the (30) day requested period, packaging costs will be incurred by the customer.*** Be sure to place the 0101 Hard Drive Crusher on a strong and sturdy surface.

IMPORTANT: Replace the reservoir plug with the supplied breather plug prior to using this unit. **DO NOT OPERATE THE HARD DRIVE CRUSHER WITH THE SHIPPING PLUG IN THE RESERVOIR!**

The reservoir plug is located on the back side of the Hard Drive Crusher cabinet. With the Hard Drive Crusher still unplugged locate the back panel on the crusher. This panel is secured by (6) phillips head screws. Remove screws and slide panel next to Hard Drive Crusher.



Remove Back Plate



Remove Reservoir plug and replace with the supplied Breather plug, can be located in bag in crushing chamber

For NATIONWIDE SERVICE Call 1(800)225-9293

Close the access door and replace the (6) screws. You can now plug the unit into a power receptacle; you are now ready to use your Model 0101 Hard Drive Crusher.

OPERATION

1. To begin crushing, open the front access door and place the hard drive into the crushing chamber, then close the access door. **Please note that the unit will not function if the access door is left open.**
2. With the access door closed press the button marked “RUN”. The button will illuminate green, the motor will activate, and the piston will descend and pierce the hard drive in the crushing chamber. When the piston has reached the end of the down stroke, the piston will start its upward movement. Upon completion of the cycle, the green light will extinguish and the motor will deactivate. You can now remove the hard drive from the chamber.
3. If you need to stop the unit in case of an emergency push the button labeled “STOP”. A red light will then illuminate and the piston will return to the “start” position. When the piston is in the “start” position the red light will extinguish and the motor will deactivate. **Note if you open the door during the cycle, the “STOP” button will illuminate red and the piston will return to the start position.**

Warning: The debris that falls into the drawer must be removed to ensure proper performance of the 0101 Hard Drive Crusher. SEM recommends that the customer empty the drawer after crushing each hard drive. If the drawer doesn’t get emptied this could cause the hydraulic cylinder to fail and will void the warranty.

NOTE: There is a stripper plate added to the back of the crushing chamber to prevent the hard drive from remaining wedged on the anvil.

Important: SEM has supplied a spacer located in the crushing chamber. The spacer is not necessary for crushing, however, it is the personal preference of the customer whether to use it or not. The spacer was designed to allow more deflection when crushing hard drives up to one inch.

Use of Optional Spacer			
Drive Type	Numbers of Drives per Pass	Laptop Drives	Comments
Laptop Drives	Up to 5	Yes	Optional Spacer can be used if destroying up to two drives
1 inch thick	1	Yes	Can use optional Spacer provided
1.65 inch thick	1	No	Optional Spacer cannot be used

Warning: If reshipping or moving Hard Drive Crusher, customer must wrap the Teflon Tape around shipping plug and tighten shipping plug down. This will help prevent the Hard Drive Crusher from leaking during shipment or movement.

For NATIONWIDE SERVICE Call 1(800)225-9293

OVERLOADING

Should too much material be fed into the Hard Drive Crusher, the high-pressure switch will engage and send the piston back to the start position. Note if this happens the Hard Drive Crusher would have not made a full cycle the hard drive may need to be sent thru again.

- This may happen when crushing the 1.65 inch hard drive you may want to take drive out and rotate 180° then send back thru for another cycle.

TROUBLESHOOTING

Issue: Unit is plugged in but will not turn on.

Answer: First check your incoming power source. If there is power check circuit breaker inside the front cover. Remove front cover and check if the breaker is in the off position, if it is in the off position reset it by flipping the switch on the breaker. If the crusher still will not turn on, contact SEM service department.

Issue: Crusher Spear will not move down when pushing the down button.

Answer: Be sure that the front access door is closed, check to make sure that the power is on, and when power is on the “POWER” light will illuminate blue. If there still is an issue, contact the SEM service department.

Issue: Crushing capacity has dropped or the machine jams easily.

Answer: Call SEM service department.

PREVENTIVE MAINTENANCE OPTIONS AVAILABLE

An annual preventive maintenance call per year is recommended. Only authorized service personnel should be allowed to service the crusher.

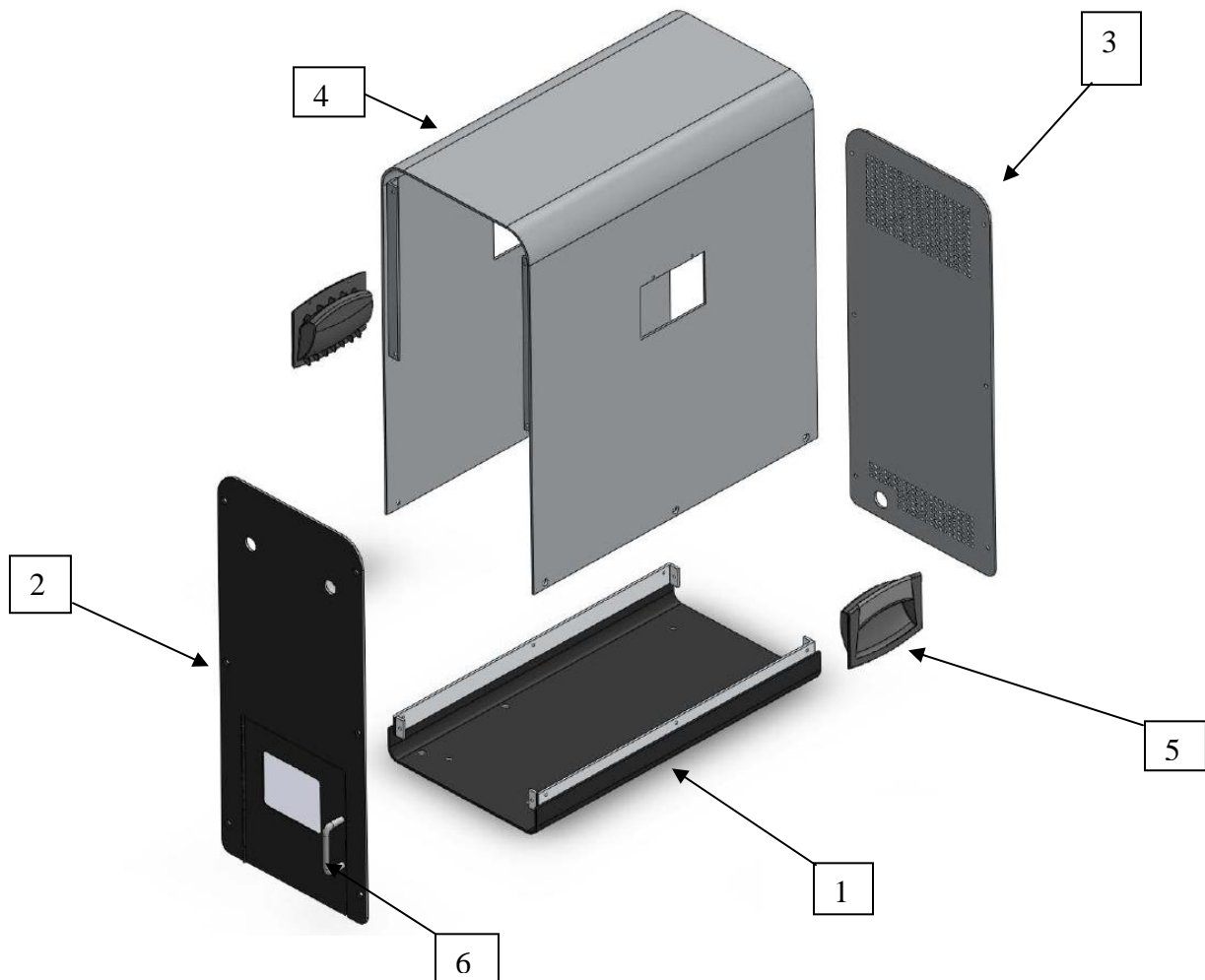
SEM provides Preventive Maintenance Contracts for many of its products. Contact SEM for a Preventive Maintenance Contract that would fit your needs at 1(800)225-9293.

Specifications	
Power Supply	120 volt / 220 volt
Power Consumption	7.5 amps at 120 volts 5amps at 220 volts
Media Destroyed	Computer hard drives up to 1.65 inch height (includes 3.5” and 2.5” technology)
Destruction Time	10 seconds cycle time for all drive types
Operating	34° F- 115°F

For NATIONWIDE SERVICE Call 1(800)225-9293

Environment	
Weight	105 lbs.
Size	19" L x 10" W x 22" H
Hydraulic Fluid	Automatic transmission fluid

CABINET EXPLODED VIEW

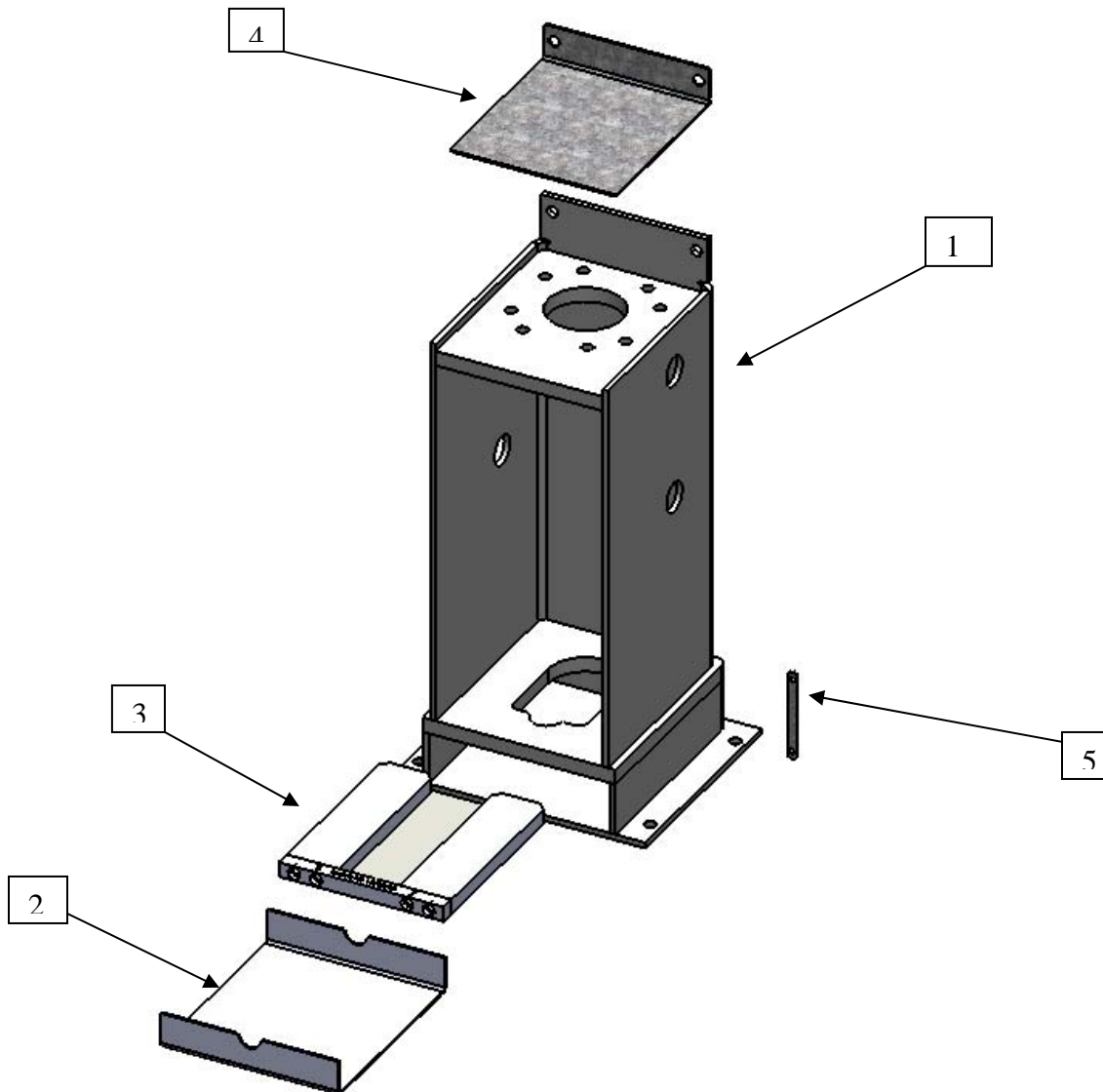


ITEM NO.	PART NUMBER	DESCRIPTION	QTY
1	850HDCHOUSASSY-1	BOTTOM PLATE	1
2	850HDCHOUSASSY-2	FRONT ASSEMBLY	1
3	850HDCHOUSASSY-3	BACK COVER	1

For NATIONWIDE SERVICE Call 1(800)225-9293

4	850HDCHOUSASSY-4	TOP COVER	1
5	850HDCHANDLE	HANDEL	2
6	850DRHANDLE	DOOR HANDLE	1

TOWER EXPLODED VIEW



ITEM NO.	PART NUMBER	DESCRIPTION	QTY.
----------	-------------	-------------	------

For NATIONWIDE SERVICE Call 1(800)225-9293

1	850HDCTOWER-1	TOWER ASSEMBLY	1
2	850HDCTOEW-2	DRAWER	1
3	850HDCTOWER-3	SPACER	1
4	850HDCTOWER-3	E-MOUNT	1
5	850HCDTOWER-5	CATCH	1

PARTS LIST

PART NUMBER	DESCRIPTION	PARTS ASSOCIATED PARTS NUMBER	QTY	DESCRIPTION
K-14183	Hydraulic Pack	1638B-LH TUBE ASSY	1	1638B-LH TUBE ASSEMBLY
		1638B-RH TUBE ASSY	1	1638B-RH TUBE ASSEMBLY
		523-22-51S-7X2"	1	MILWAUKEE CYLINDER 523-22-51S-7X2"
		K-12172-150	1	MONARCH PUMP K-12172-150
		K-12865	1	MONARCH BASE K-12865
		K-14183	1	MONARCH RESERVOIR
		KP0231	1	NACHI VALVE SS0G01-C7Y-R-C115-E31
		PS61-35-6MSZ-A-SP	1	"GEMS" PRESSURE SWITCH
		1638B	1	FITTING KIT
		KP1850	1	SHIPPING PLUG
		CL3403	1	"BALDOR" ELECTRIC MOTOR (1/3 HP)
850HDCHOUASSY	HOUSING ASSEMBLY	850HDCHOUASSY-1	1	BASE
		H50HDCHOUASSY-2	1	FRONT ASSEMBLY
		850HDCHOUASSY-3	1	BACK
		850HDCHOUASSY-4	1	TOP COVER
		850HDCHOUASSY-5	1	SIDE LIFT HANDLES (2 REQUIRED)
850HDCTOWER	TOWER ASSEMBLY	850HDCTOWER-1	1	TOWER ASSEMBLY
		850HDCTOWER-2	1	ELECTRICAL MOUNT
		850HDCTOWER-3	1	SPACER
		850HDCTOWER-4	1	BOTTOM DRAWER
		850HDCTOWER-5	1	MAGNETIC CATCH
935HDC100ELEC	ELECTRICAL CONTROL PANEL	SR2E121FU	1	SMART RELAY, 12I/O
		LW6ML-A1C65MS	1	BLUE ILLUMINATED PUSHBUTTON ALTERNATE ACTION
		LW6ML-M1C65SMG	1	GREEN ILLUMINATED PUSHBUTTON
		LW6ML-M1C65MR	1	RED ILLUMINATED PUSHBUTTON
		PRX+8500(808-1015)	1	MAGNETIC SWITCH
		PRX+8100(808-1020)	1	MAGNETIC SWITCH MATE
		RR2P-UAC120V	1	RELAY
		GDL-5	1	FUSE
850HDCANVIL			1	ANVIL
850DRHANDLE			1	DOOR HANDLE
850HDCMAGCATCH			1	MAGNETIC CATCH
850INSLABEL			1	INSTRUCTION LABEL

For NATIONWIDE SERVICE Call 1(800)225-9293

850HDCFOOTMT			4	FOOT MOUNT
850SEC50BA			3	CORD CONNECTOR
85099508755			1	CORD CONNECTOR NUT

For NATIONWIDE SERVICE Call 1(800)225-9293