

SECURITY ENGINEERED MACHINERY
OPERATION, MAINTENANCE AND SERVICE MANUAL

SEM MODEL 1200 CD-ROM DECLASSIFIER

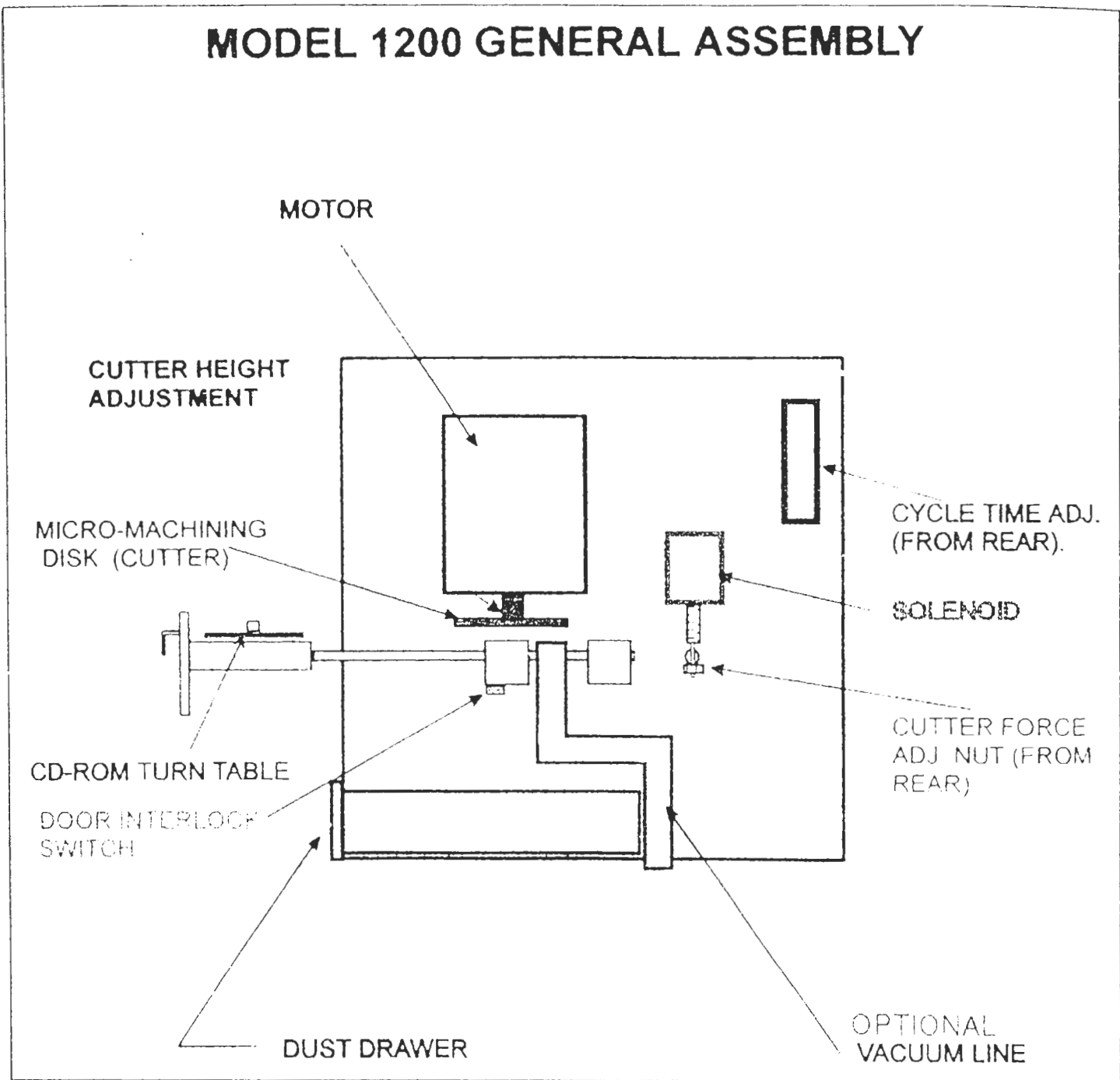
220 Volt



INDEX

Index.....	1
General Assembly Drawing.....	2/2A
Operation.....	3
Trouble Shooting.....	4
Adjustments.....	5
Schematic Drawing/Wiring Diagram.....	6/6A
Electrical Connections.....	7/7A
Vacuum Instructions.....	8-12
Other SEM Products.....	13

MODEL 1200 GENERAL ASSEMBLY

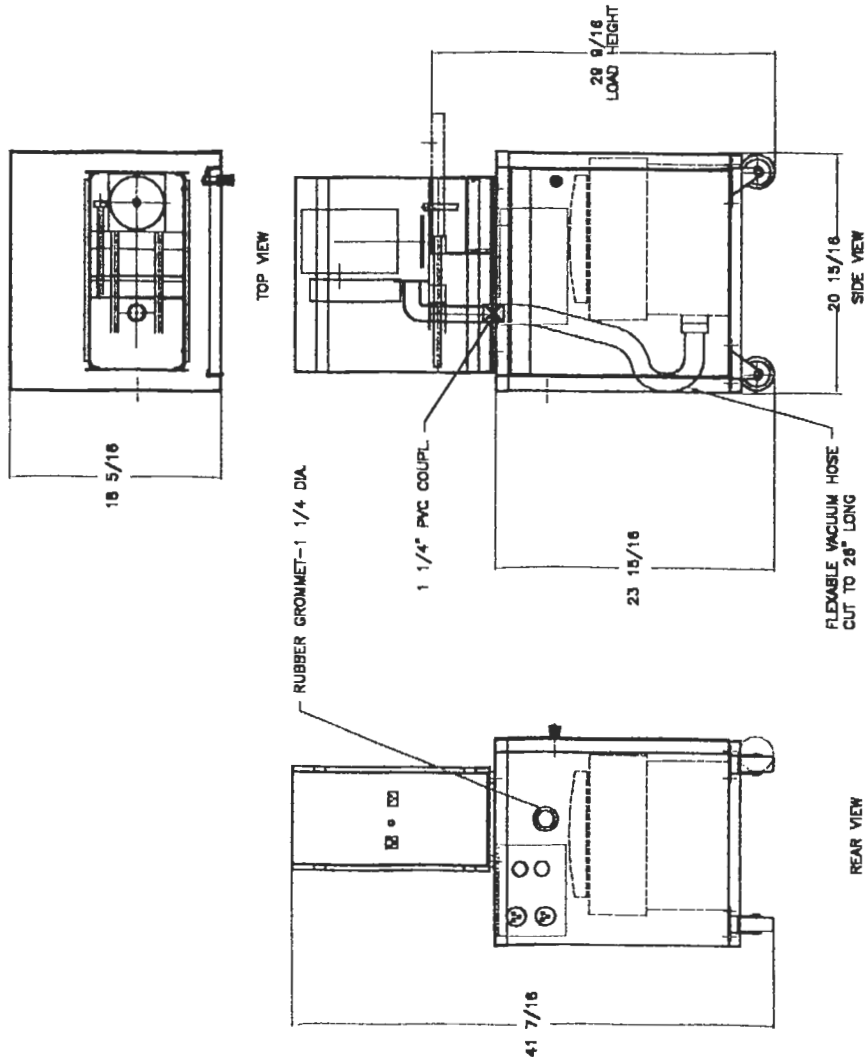


GENERAL ASSEMBLY DRAWING

REV	REVISIONS	DATE	INIT

ITEM NO. DESCRIPTION

PROTOTYPE
* FIRST 5 UNITS



NOTE
THIS DOCUMENT CONTAINS PROPRIETARY INFORMATION DEVELOPED BY SECURITY ENGINEERED MACHINERY.
IT IS RELEASED ONLY UPON REQUEST AND APPROVAL OF THE MANAGER OF SEN ENGINEERING AND IS FOR REFERENCE USE ONLY.
THIS DOCUMENT SHOULD NOT BE REPRODUCED OR INFORMATION WITHIN DISCLOSED UNLESS APPROVED BY SEM.

TITLE	CABINET ASSY WITH CONTROL BOX
SECURITY ENGINEERED MACHINERY	8 WALNUT DRIVE WESTBROOK, N.H.
DATE	5/18/78
DESIGNED BY	JAMES F. ...
CHECKED	...
DATE	...
REVISED	...
BY	...
OF	...
1	1

NOTE: SEE B/M #7-120-6499-00 FOR PART NUMBERS.
*NOTE: VAC UNIT HANDLE WAS REMOVED, TO ALLOW CLEARANCE OF THE 6" HIGH CONTROL BOX.

000 NO. C:\DANA\120-6499.DWG

OPERATION

LOCATION:

The Model 1200 may be located within 6" of a facing wall, preferably a wall with a dedicated 20 amp outlet. A 15 amp Linecord is provided, and should not be replaced with a lesser rating.

OPERATION:

The Model 1200 is designed to completely remove the CD-ROM information-bearing surface below the label area (to about the top 2.0 mm. below the label surface and produce particle sizes (dust) of less than 0.25 mm.

Operating the 1200 is simple. First, open CD access door, place CD on turntable (information side up) and close the door. With the power switch "ON", momentarily push the "RUN" switch. This starts the timed machining cycle which is normally set at 12-15 seconds. Only one CD-ROM should be on the turntable during any cycle. Insertion of more than one or none, may impair the precision cutter.

While the 1200 is operating, the CD access door is interlocked and cannot be opened.

Upon completion of the machining cycle, the amber "RUN" light will extinguish, signaling the CD declassification is completed. Simply reopen the access door and remove the declassified CD.

If a CD is encountered that does not clear within the first declassification cycle, it may be cycled a second time. If the second time does not produce complete removal of information-bearing surface, see "Adjustments", page 5.

Below the CD access door, a slide out dust collection tray is located. When necessary (after approx. 500-800 CDs have been run), loosen the two retaining thumbnuts, remove and empty the tray. Replace the tray noting that the dust seals on the tray are compressed slightly.

When the 1200 is used with the optional automatic vacuum system, emptying the dust collection tray is not necessary.

LUBRICATION:

All active parts on the 1200 are lubricated for life.

TROUBLE SHOOTING

The Model 1200 is designed for minimum maintenance and adjustments. If a problem should occur, a minor adjustment may be in order.

The Model 1200 has been shipped complete, tested, and is operational when received.

NO POWER:

- A. If the unit does not operate when power switch is "ON", check power cord insertion, and check power wall outlet with another appliance or voltmeter to confirm that AC line voltage is present.
- B. If line voltage is present, unplug line cord and remove the 15 Amp. Slo-Blo fuse on the rear panel. Check the fuse with a continuity meter (ohm meter), or by replacing it.
- C. If power is present and fuse checks O.K. , unplug line cord, remove top cover screws (6) with hex head driver. With cover removed, look for Quick-Disconnect tabs on wiring/cabling or components that may have become disconnected.

CD-ACCESS DOOR DOES NOT CLOSE:

- D. With line cord unplugged from wall outlet , check for obstruction on turntable . Remove obstruction.

ADJUSTMENTS

Two main adjustments control the Model 1200 performance.

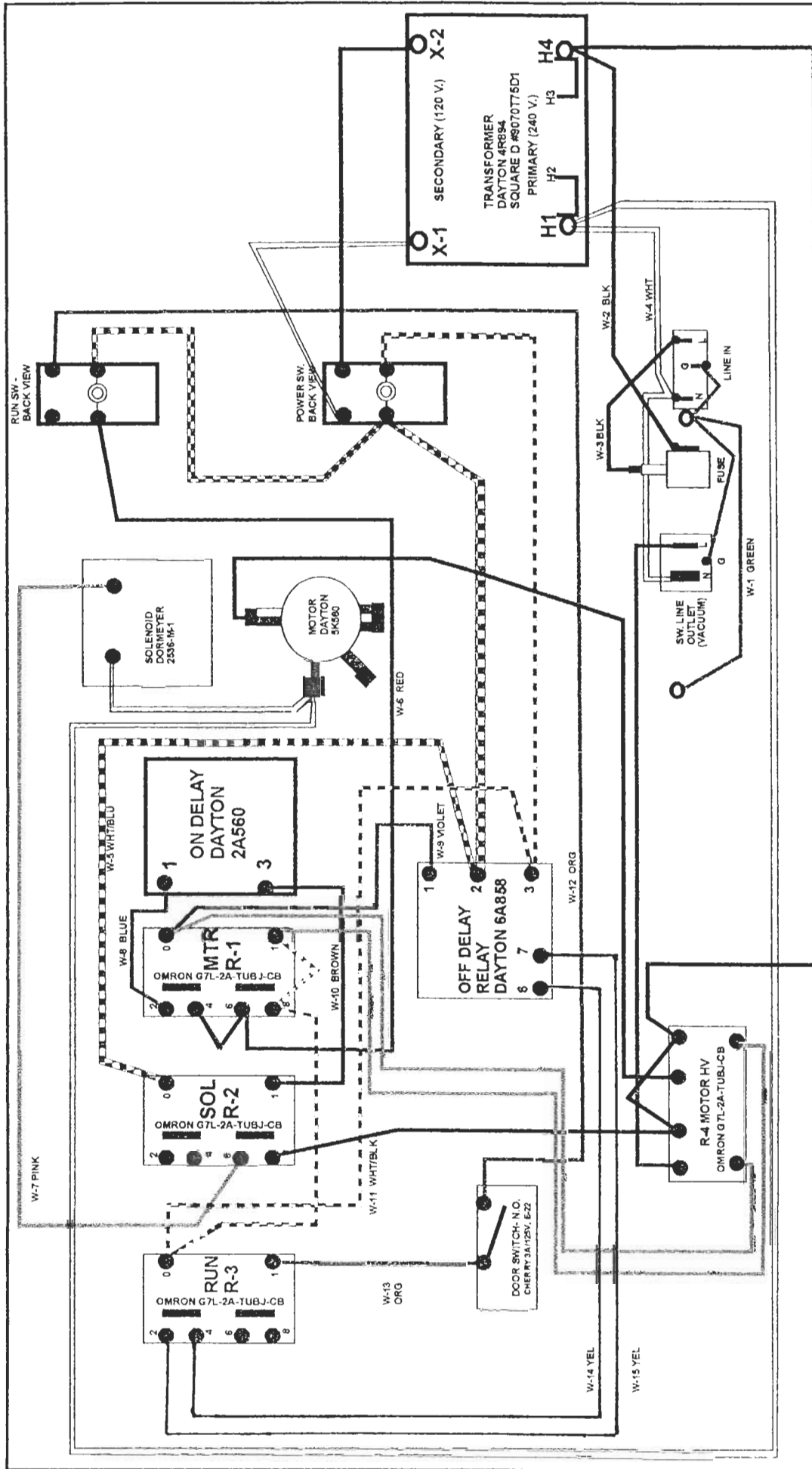
TURNTABLE CUTTER FORCE ADJUSTMENT:

- A. REMOVE POWER CORD FROM UNIT.
Remove rear panel (four hex-head button machine screws), and place panel along the side of the 1200 unit. The internal cable attached to the rear panel has sufficient length, and need not be disconnected.
- B. Locate the cutter force adjustment nut connected to the vertical tension rod. (See page 2, general assembly drawing.)
Remove CD access door, (two 14-20 hex button head screws), and front panel (four 10-32 hex head Button screws) after front panel is removed (cable need not be disconnected) access to the turntable and cutter head is simple.
- C. Place three (3) CD-ROMS on the turntable, and while observing cutter head, manually seat solenoid at rear of machine. With three CD's on turntable cutter head should touch the top CD-ROM. If this is not the case, adjust the cutter force adjustment nut until the cutter head touches the top CD .
- D. After adjustment, remove CD-ROMs from turntable, and re-assemble front and rear panels, being careful not to pinch wiring cables. CD-access door must be reassembled using Thread-lock (lock-tight) cement on 1/4-20 threads, and tightened firmly.

CYCLE TIME ADJUSTMENT:

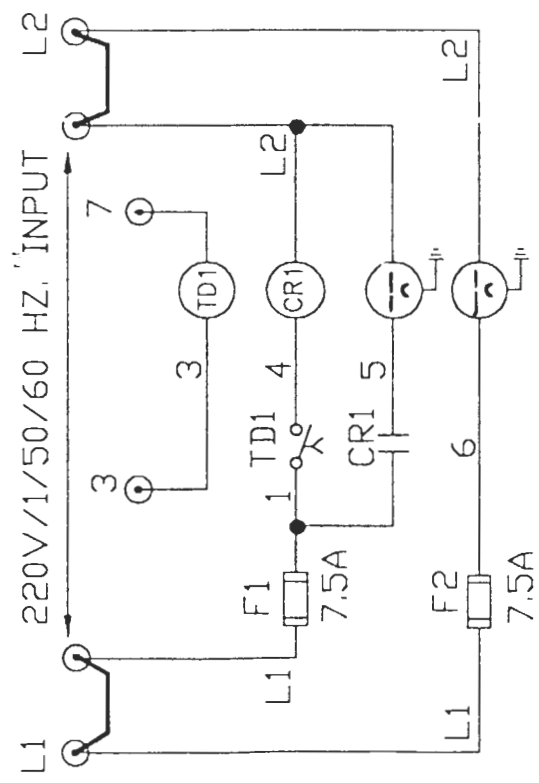
- A. REMOVE POWER CORD FROM UNIT.
- B. Locate "cycle time adjust" port on back panel. Cycle time is factory set at 12-15 seconds. If more aggressive milling is required for special situations (thicker labels, label material, etc.) Cycle time may be adjusted upward. Caution: if cycle time is set too high, CD-ROMs may melt from increased friction. Ideally, cycle time should be as short as possible, and still remove all information-bearing surface. A small blade-type screwdriver may be used to adjust the on timer. Total adjustment range is 3 to 60 seconds

WIRING DIAG.



SCHEMATIC DRAWING 220VOLT

REV.	REVISIONS	DATE & INIT
△	1084 BOX WAS 1086/LWP-5/98	



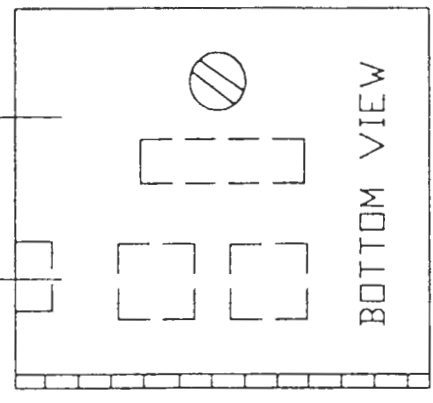
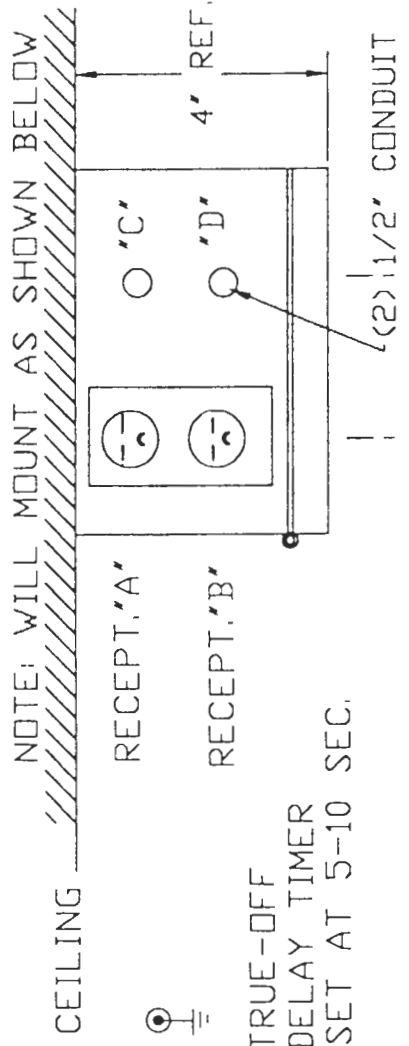
WIRING NOTES:

"C" CONN. FOR POWER CORD, L1, L2
 "D" CONN. TO "TD1" FROM CD-1200 SWITCH, 3&7.

REF.-CD-1200 MOTOR, 1/3HP, 6 AMPS FLC
 VACUUM MOTOR, 3/4 HP, 5 AMPS FLC

NOTE: ENCLOSURE SIZE IS 10X8X4 △
 TO SUIT MOUNTING HOLES OF 7"X7 3/8"

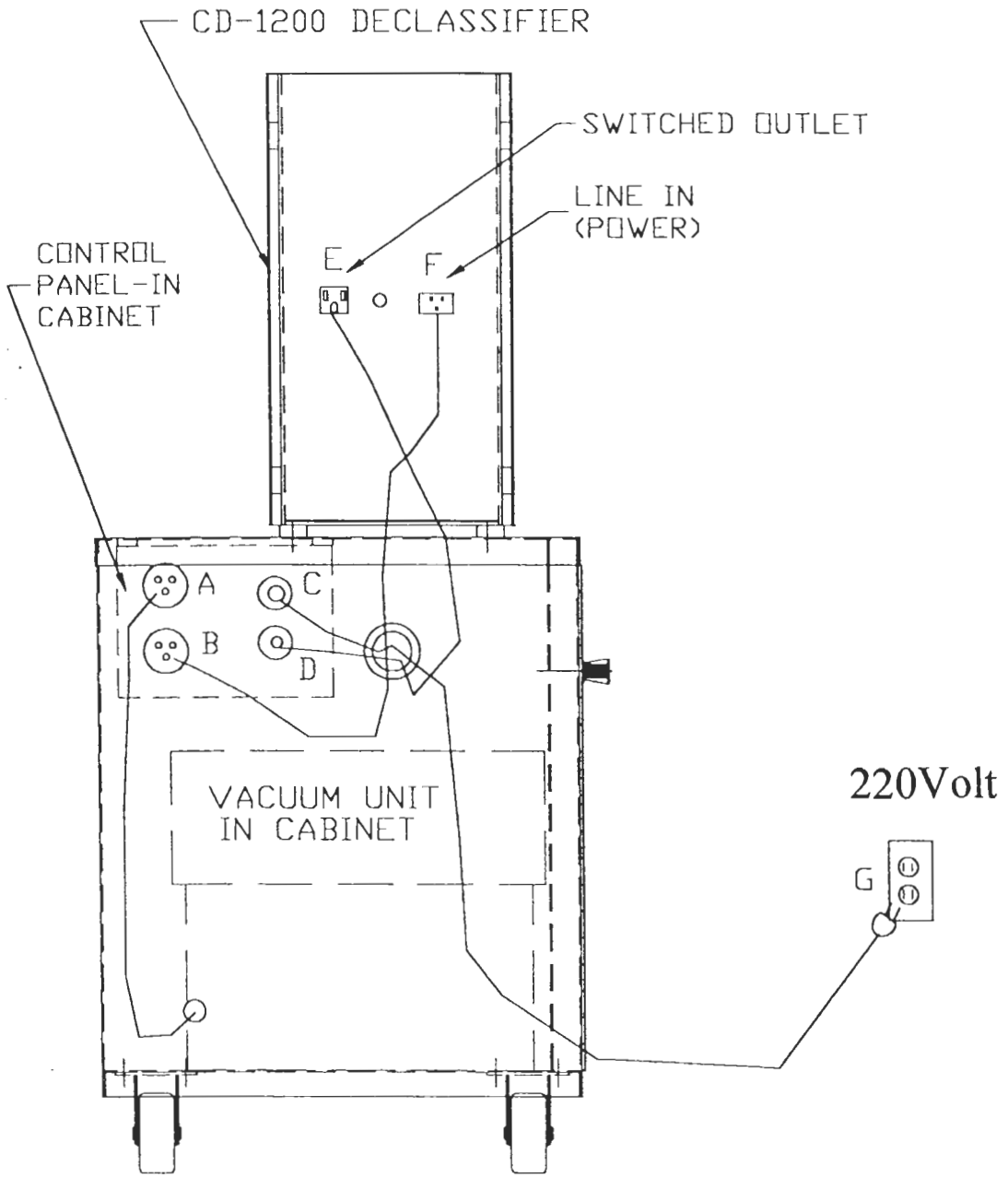
REF. CSS#1325598



REF.-MC KINSTRY #30-1084LP & 42-108

		SECURITY ENGINEERED MACHINERY WESTBORO, MA 01581	
CD-1200 @ 220V WIRING DIAGRAM		DATE 4/98	DRAWING NUMBER 2-40-6484-00
CUSTOMER REFERENCE		CHECKED	DATE
DRAWN BY LWP	SCALE	SHEET 1	OF 1

CAD NO.C:\ LARRY \40-6484



REAR VIEW OF CD-1200
ON TABLE/CABINET

FOR ELECTRICAL PLUG-IN CONNECTIONS
SEE ATTACHED INSTRUCTION SHEET EC-1

6-98/LWP

Electrical Instruction Sheet EC-1 for Model 1200 CD Declassifier

1. Your SEM Model 1200 unit has been "prewired" and all electrical "plug-in" cords are supplied.
2. After placement of the vacuum and 1200 declassifier units on/in the cabinet, as shown on assembly drawing No.4-120-6499-00, you are ready to connect all "plug-in" cords as follows:

See attached plug-connection drawing:

- 3a. Plug vacuum unit into control box receptacle 'A'.
- 3b. Plug loose cord supplied into rear of Model 1200 "line-in" receptacle and the other end into the control box-receptacle 'B'.
- 3c. Plug in cord from control box "marked to 1200-switched outlet", as shown on attached drawing, at connection "E".
- 3d. Plug in power cord from control box to a 220Volt single phase power outlet.

IMPORTANT SAFETY INSTRUCTIONS

PLEASE READ CAREFULLY BEFORE OPERATING

This vacuum will afford you many years of trouble-free operating satisfaction, provided it is given proper care. All parts have passed rigid quality control standards prior to their being assembled to produce the finished product. Prior to packaging, your vacuum was again inspected for assurance of flawless assembly.

This vacuum is protectively packed to prevent damage in shipment. We recommend that upon delivery, unpack the unit and inspect it for any possible damage. Only a visual examination will reveal damage that may have occurred.

If damage is discovered, immediately notify the transportation company that delivered your vacuum. As a shipper, we are unable to report any claim for damage. You must originate any claim within 5 days.

This manual is for your protection and information. **PLEASE READ CAREFULLY** since failure to follow precautions could result in discomfort or injury. Read this manual completely before operation of this vacuum. It is important to follow the instruction in this manual to prevent the possibility of injury.

IMPORTANT SAFETY INSTRUCTIONS

WARNING:

**To Reduce the Risk of Fire, Electric Shock or Injury:
Electric shock could occur if used on wet surfaces.
DO NOT expose to rain. Store indoors.**

When using this vacuum basic precautions should always be followed, including the following:

1. **DO NOT** leave the vacuum when plugged in. Unplug from the outlet when not in use and before servicing.
2. To avoid electric shock, **DO NOT** expose to rain. Store indoors. **DO NOT** use on wet surfaces.
3. This is **NOT** a toy. Close attention is necessary when used around or near children.
4. Use only as described in this safety manual. Use only manufacturer's recommended attachments and accessories.
5. **DO NOT** use this vacuum with damaged cord or plug. If the vacuum is not working as it should, because it has been dropped, damaged, left outdoors or dropped into water, contact an authorized service center or factory.
6. **DO NOT** pull or carry by the cord, use cord as a handle, close a door on cord or pull cord around sharp edges and corners. **DO NOT** run vacuum over cord. Keep cord away from heated surfaces.
7. **DO NOT** unplug the vacuum by pulling on the cord. To unplug, grasp the plug, not the cord.
8. **DO NOT** handle the plug of the vacuum with wet hands.
9. **DO NOT** put any objects into openings. **DO NOT** use with any opening blocked; keep free of dust, lint, hair and anything that may reduce air flow.
10. Keep hair, loose clothing, fingers, and all parts of body away from openings and moving parts.
11. **DO NOT** pick up anything that is burning or smoking, such as cigarettes, matches, or hot ashes.
12. **DO NOT** use without dust bag and/or filters in place.
13. **DO NOT** use the vacuum to pick up flammable or combustible liquids such as gasoline or use in areas where they may be present.
14. Use extra care when cleaning on stairs.
15. **DO NOT** use where oxygen or anesthetics are used.
16. Turn off all controls before unplugging.
17. **DO NOT** use an extension cord unless absolutely necessary. If an extension cord is used, then wire size must be #14 or larger and should not exceed 50 feet in length. The extension cord must be a three-wire type to insure grounding protection.
18. Replace damaged or worn parts immediately with genuine original equipment parts to maintain safety and to protect your limited warranty.

If your vacuum has a outlet for a motorized power nozzle, always turn **OFF** vacuum before connecting or disconnecting the motorized nozzle. This vacuum must be connected to a properly grounded outlet only. (See grounded instructions). When not in use the power cord should be wrapped around the motor head cord holder for storage.

SAVE THESE INSTRUCTIONS

Grounding Instructions

GROUNDING INSTRUCTIONS

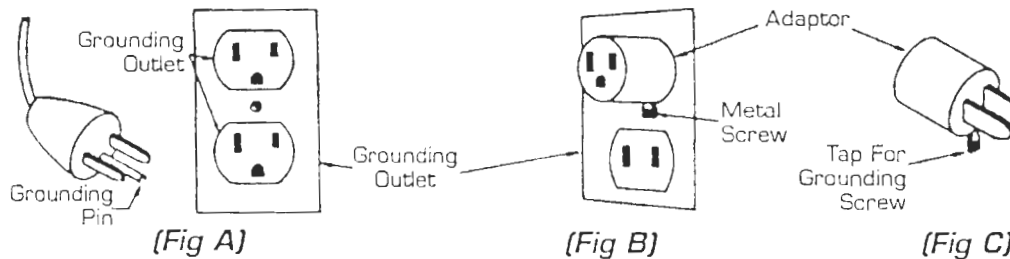
DANGER:

Improper use of the grounding plug can result in a risk of electric shock.

Electrical equipment must be grounded. If it should malfunction or breakdown, grounding provides a path of least resistance for electrical current to reduce the risk of electric shock. The vacuum is equipped with a cord having an equipment-grounding conductor and grounding plug. The plug must be inserted into an appropriate outlet that is properly installed and grounded in accordance with all local codes and ordinances.

If repair or replacement of the cord or plug is necessary, DO NOT connect the grounded wire to either flat blade terminal. The wire with insulation having an outer surface that is green with or without yellow stripes is the grounding wire.

GROUNDING METHODS



This electric equipment is for use on a nominal 120 volt circuit, and has a grounded plug that looks like the plug illustrated in (Fig A). A temporary adaptor that looks like the adaptor illustrated in (Fig B & C) may be used to connect this plug to a 2-prong receptacle as shown in (Fig B) if a properly grounded outlet is not available.

The temporary adaptor should be used only until a properly grounded outlet (Fig A) can be installed by a qualified electrician. The green color rigid ear, lug or the like extending from the adaptor must be connected to a permanent ground such as a properly grounded outlet box cover. Whenever the adaptor is used, it must be held in place by a metal screw.

WARNING:

Improper connection of the equipment-grounding conductor can result in a risk of electric shock. Check with a qualified electrician or service person if you are in doubt as to whether the outlet is properly grounded.

DO NOT modify the plug provided with the equipment. If it will not fit the outlet, have a proper outlet installed by a qualified electrician.

Note: In Canada, the use of a temporary adaptor is not permitted by the Canadian Electrical Code.

CARE OF YOUR VACUUM CLEANER

Treat your vacuum cleaner as you would any other high grade precision made product. Dropping, unreasonable bumping across thresholds and other misuses may result in a damaged unit which will not be covered by warranty.

Operating Instructions

This vacuum is shipped assembled. It is equipped with a air-thru motor, designed for dry pickup only.

FILTER INSTALLATION & REMOVAL

This vacuum comes with paper filter bags and a impact filter that need to be installed before using the vacuum.

Installation and Removal of Paper Bag and Impact Filter:

(A) Press the holdown clamp upward and remove the motor head and set aside.

(B) Remove the cloth filter assembly (F), set aside.

To Install the Paper Filter Bag:

(C) Expand the bag pleats to form full shape of bag. Position hole in collar to end of inlet tube and pull forward until collar is completely on the tube and as close to the tank wall as possible.

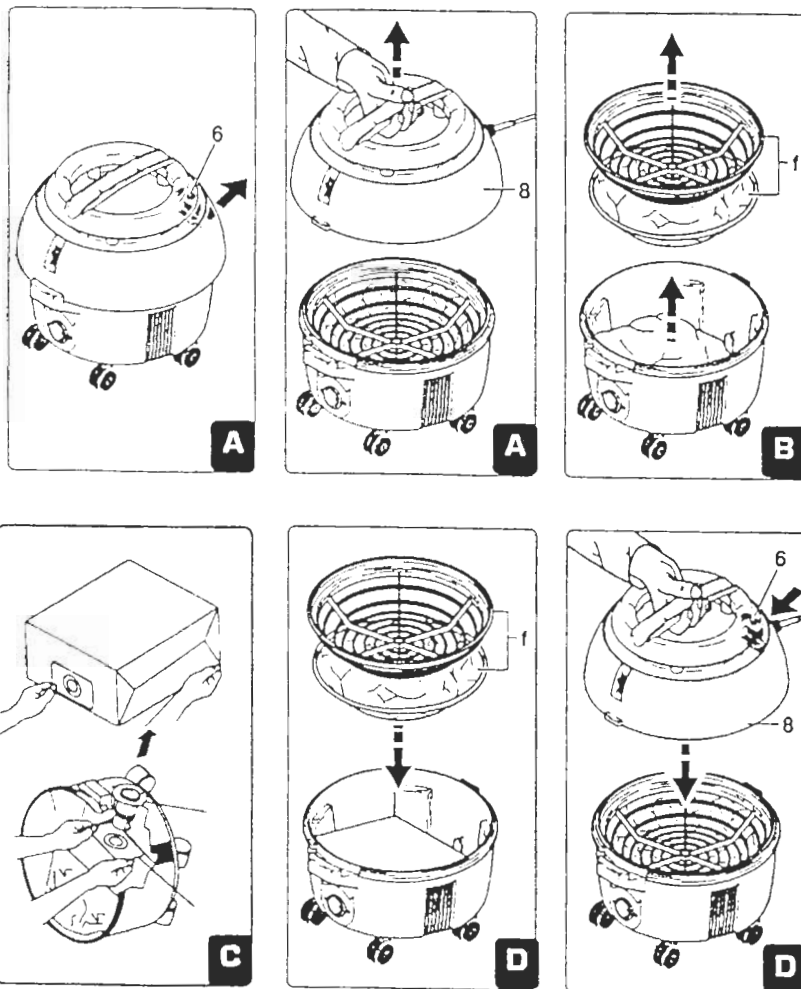
To Install the Impact Filter:

(D) Place impact filter around the perimeter of the tank.

To Remove Paper Filter Bag:

Pull bag out of tank using care not to puncture bag with inlet tube. Install a new bag and dispose of the full bag.

(D) Place filter assembly into the impact filter. Replace the motor head on tank and close clamps.



FILTER MAINTENANCE

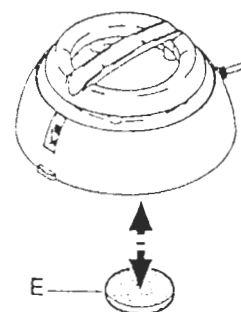
Cloth Filter Assembly

In order to maintain maximum efficiency of this vacuum it is important to clean the cloth filter each time the tank is emptied. To clean the cloth filter, shake off loose particles and vacuum the cloth or, for a more thorough cleaning wash and allow to dry.

Note: Water temperature should be not more than 72°F when washing the cloth filter.

Motor Filter

Clean the filter (E) after changing the paper filter bag. After 10 paper bag changes replace the filter. The blue side of the filter must be visible.



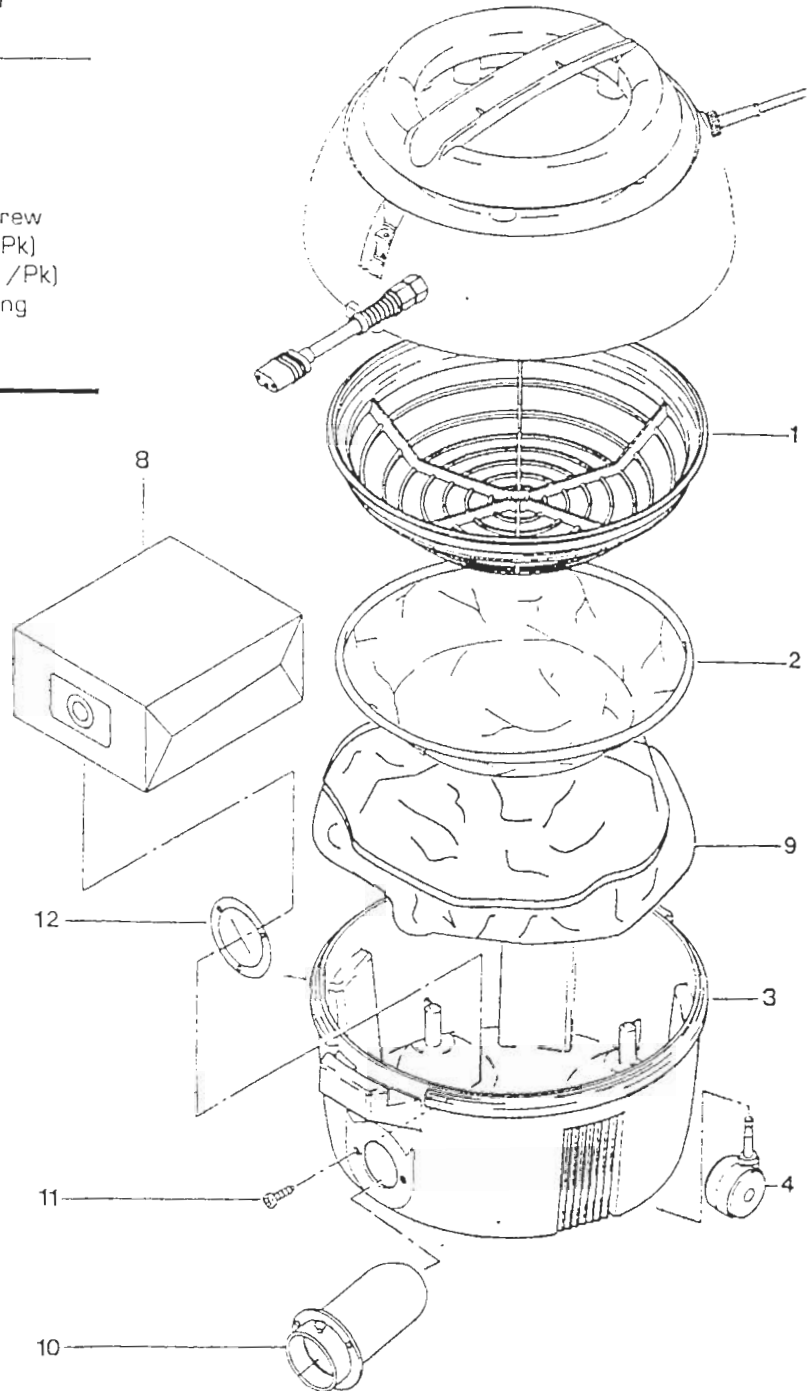
CAUTION:

Always exercise caution when handling the motor head.

Replacement Parts List

Section 100 - FILTERS & TANK ASSEMBLY

Part Number	QuietMaster		Part Description
	Position Number	Reference Number	
409243	101	022.310	Filter Cage
409251	102	022.320	Cloth Filter
417939	103	022.210	Vacuum Tank
418374	104	P.. 204F	Swivel Caster
402524	105	P.. 516A	KA30 X 10 Screw
408239	108	408239	Paper Bag (5/Pk)
408328	109	408328	Impact Filter (1/Pk)
325406	110	325406	Metal Inlet Fitting
348503	111		Rivet
417955	112	417955	Metal Plate



Trouble Shooting Guide

CAUTION

Always disconnect power cord before servicing vacuum

WARNING

Repairs should only be performed by an authorized service center.

PROBLEM: Loss of Vacuum.

CAUSE:

1. Motor head not placed on vacuum body properly.
2. Dry filter assembly.
3. Faulty vacuum motor.
4. Full paper filter bag.
5. Clogged hose or wand.
6. Loose or broken fan.

SOLUTION:

1. Remove motor head and re-adjust evenly, secure using the two studs.
2. Clean cloth filter.
3. Call manufacturer or service center.
4. Replace paper filter bag.
5. Remove obstruction.
6. Contact manufacturer or service center.

PROBLEM: Motor is not running.

CAUSE:

1. Faulty ON/OFF switch.
2. Power cord defective.
3. Loose connection or wiring.
3. Motor defective.
4. Blown fuse or tripped circuit breaker.

SOLUTION:

1. Contact manufacturer or service center.
2. Contact manufacturer or service center.
3. Contact manufacturer or service center.
4. Contact manufacturer or service center.
5. Replace fuse or reset circuit breaker.

PROBLEM: Dust blowing from vacuum when running.

CAUSE:

1. Full paper filter bag.
2. Paper filter bag not installed properly or off inlet tube.
3. Cloth filter bag dirty.
4. Cloth or paper filter bag is torn.

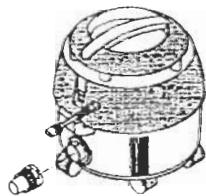
SOLUTION:

1. Replace filter bag.
2. Reinstall or replace paper filter bag properly.
3. Clean cloth filter bag.
4. Replace.

ATTACHMENT INSTALLATION

Hose & Swivel Connector

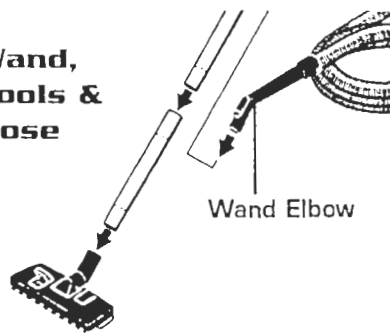
The vacuum hose and swivel connector are preassembled at the factor. To attach the swivel connector to the intake fitting on the vacuum tank.



- 1) Line up the slots in the swivel connector with retaining rivets on inlet.

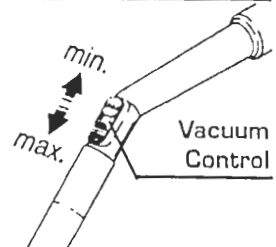
- 2) Insert swivel connector and twist clockwise until the rivets reset against slot ends.

Wand, Tools & Hose



- 1) Firmly connect wand pieces and tool required for your cleaning operation.
- 2) Insert vacuum hose into wand elbow.
- 3) Plug in power cord and turn on the vacuum switch.

Wand Vacuum Control



- 1) the vacuum control located on the upper part of the wand adjusts the vacuum power for cleaning different types of surfaces.

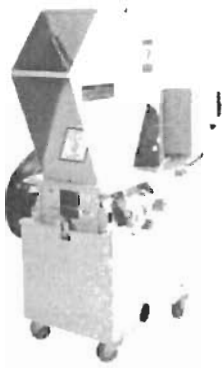


Security Engineered Machinery Co., Inc. Product Information



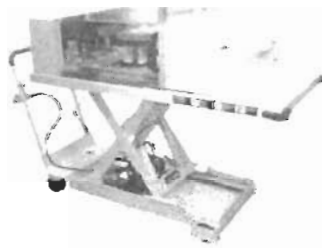
Paper Shredders, Disintegrators/Industrial Shredders

- Contract Number: GS-02F-0111P
- Contract Period: October 1, 2006 to September 30, 2011
- C3615 Shredders
- C3615 Accessories/Attachments for Shredders and Disintegrators
- C3615 Spare Parts for Shredders and Disintegrators
- C3615 Disintegrators
- C3615 Remanufactured Disintegrators



Information Technology

- Contract Number: GS-35F-0297J
- Contract Period: March 17, 1999 to March 15, 2009
- 132-8 Purchase of Equipment, FSC Class 7010, (IT)
- 132-12 Maintenance, Repair Service/Spare Parts, FPDS Code J070



Recycling Collection Containers Specialty Waste Receptacle All types of Destruction Services

Open Market Consult Factory

For detailed product information including all application and specifications, contact our Customer Service Department at 1-800-225-9293 or visit us on line at www.semshred.com for commercial customers and www.fedshred.com for government customer.