



Security Engineered Machinery Co., Inc

## **OPERATIONAL & MAINTENANCE MANUAL**

### **SEM Model 7050P**

Rev. 0



As of January 1, 2008

Security Engineered Machinery Co., Inc

### **NATIONWIDE SERVICE**

Phone Toll Free 1(800)225-9293

Email: [Service@SEMSHRED.COM](mailto:Service@SEMSHRED.COM)

Fax: (508)366-6814

Website: [WWW.SEMSHRED.com](http://WWW.SEMSHRED.com)

# TABLE OF CONTENTS

---

## READ CAREFULLY BEFORE USE

This paper shredder is designed for the in-office destruction of paper documents to an unidentified waste. Proper care and use of our shredder will insure many years of trouble free operation.

Index-----	1
Safety Instructions & Application-----	2
Installation -----	3
Transportation / Pre-Assembly-----	4
Operating -----	5-7
Troubleshooting-----	8
Accessories/Technical Data-----	9
Recommended/Using and Ordering Spare Parts-----	10
Parts Breakdown-----	11-26
Wire Diagram-----	27-29
SEM Other Products-----	30

**For NATIONWIDE SERVICE Call 1(800)225-9293**

# **SAFETY INSTRUCTIONS**

---

This instruction manual helps you learn the safe and comfortable operation of this machine. Before working with the machine please read these instructions carefully and consider the safety regulations.

**Danger!** Non-compliance with the instructions may endanger persons.

**Warning!** Non-compliance with the instructions may cause damage to the machine. The operating instructions must always be available for the operator

## **APPLICATION**

---

The machine is capable of shredding loose and crumbled paper as well as cartons with staples. Due to material separation we recommend to avoid shredding plastic foils at the same time.

**Danger!**

- Only qualified persons are allowed to operate the machine
- Children should not operate the shredder
- Do not shred any strapping materials or fluids which can loop, splinter, chemically react or explode.

**Warning!**

- Feeding large steel components, rigid material, screws or nails will damage the shredding mechanism.

**For NATIONWIDE SERVICE Call 1(800)225-9293**

# INSTALLATION

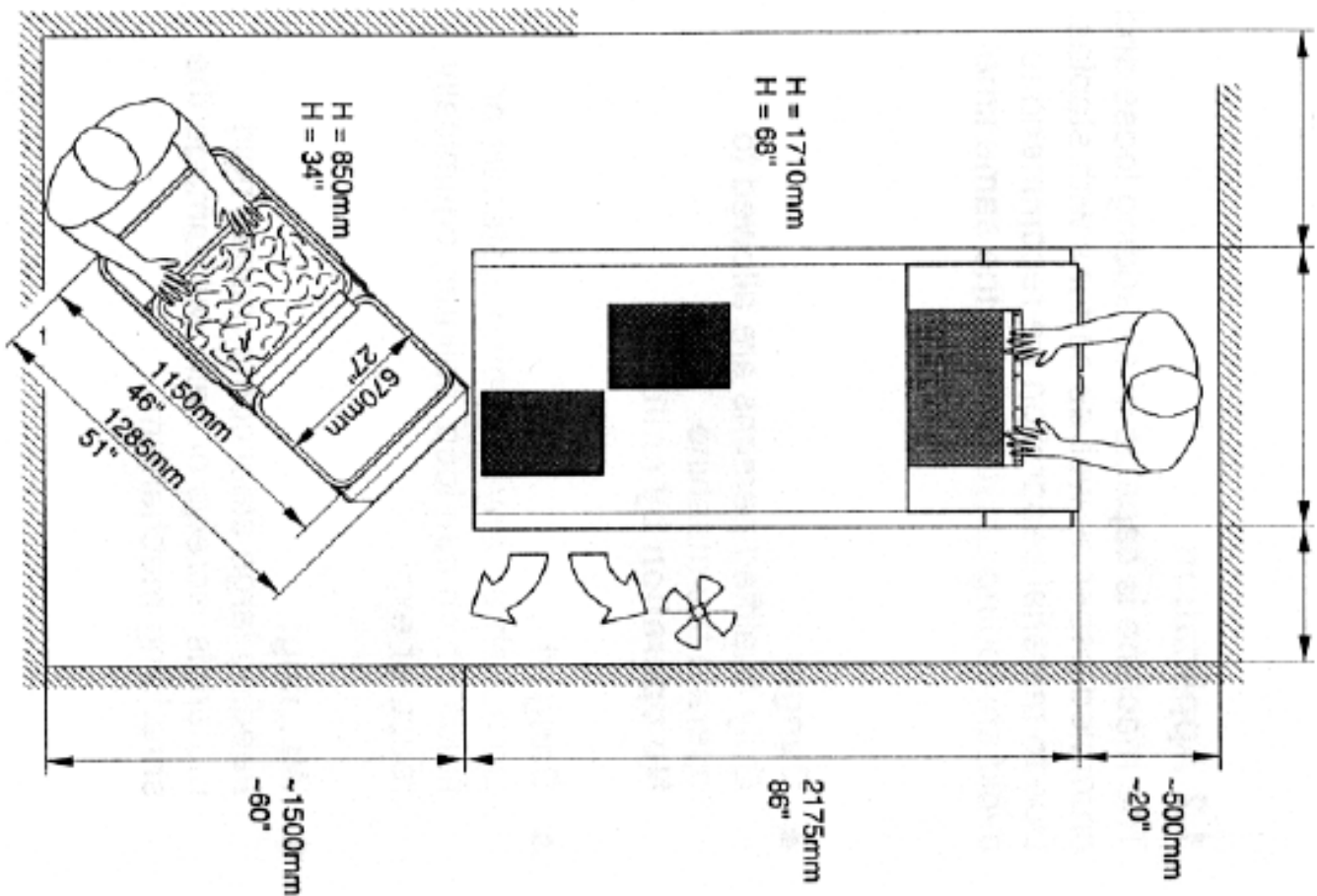
The machine is mounted on castors and easy to move. The machine must be installed on a firm, level dry floor.

## Danger!

- The machine must not be used outside
- Do not use in the vicinity of flammable liquids or gasses
- Do not use in wet environments
- Protect the power cable from extreme heat, oil and sharp edges

## Warning!

- Do not cover ventilation slits
- Follow the space assignment plan carefully (Below)
- Consider the floor loading, weight approximately 2630 lb (1200kg)



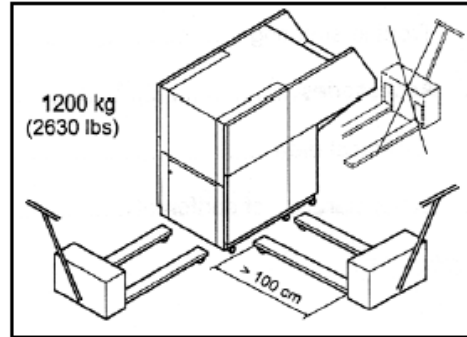
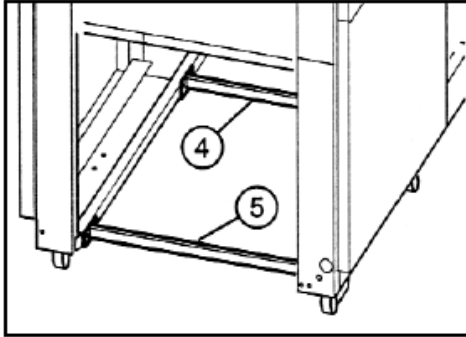
**For NATIONWIDE SERVICE Call 1(800)225-9293**

# TRANSPORTATION

---

## Attention!

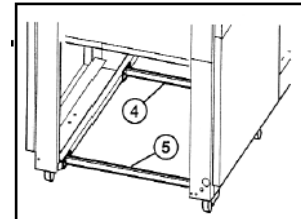
- Do not raise the machine higher than necessary to avoid tipping
- Transport is only possible from the back and with built-in transport safety device (4) and (5).
- Make sure the lifting truck is centered under the machine.



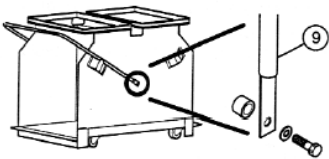
# PRE-ASSEMBLY

---

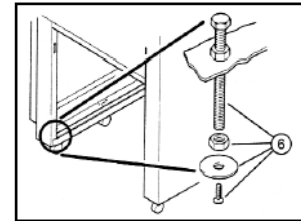
- Open the door
- Remove the transport safety device (4) and (5) and keep for later transport use
- Mount the supporting screws(6)
- Screw down the supporting screws until the rear rolls are relieved



## Mount the waste bin



- Mount the shackle (9)
- Change both plastic bag (As described under changing the waste bag)
- Push the waste bin into the machine
- Close the door



## Power Supply

The name plate is located at the rear of the machine

- Data stated on the rating plate must correspond to the values of the power supply unit.
- Voltage “V” • Frequency “Hz” • Power Consumption “A”
- Earth Wire must be available •Connect the machine with the mains

**For NATIONWIDE SERVICE Call 1(800)225-9293**

## **PRE-ASSEMBLY Cont...**

---

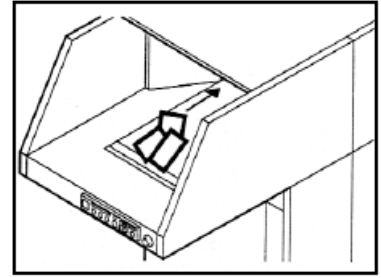
### **Checking Rotating Direction**

Operate the machine for a short time as described under “Operation”

- The material is transported into the machine by the conveyor belt.

When the machine works in the opposite direction

As the machine is wired according to the IEC standardized rotary field, when changing the rotary direction we recommend that this is performed by an experienced specialist. The rotary direction may be changed by exchanging the “L1” and “L2” connections in the plug.



**Danger!** Incorrect exchange of the connections may endanger the operator.  
In doubt, this work should be performed by an electrical specialist.

## **OPERATING**

---

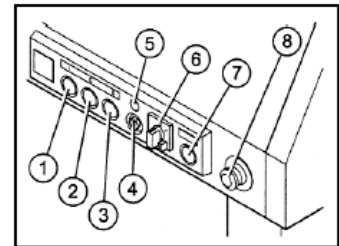
The machine will only run when door is closed!

**Danger!** The machine may only be operated by persons who have read and understand the operating instructions!

**Keep hands away from running shredding mechanism!  
The shredding mechanism may cause serious injury!**

### **Operating Elements**

1. Start
2. Stop and pilot light for door open
3. Reverse and the lamp waste bin full
4. Key switch
5. Standby
6. Main switch (can also be used as emergency off button)
7. Plot light temperature indicator
8. Emergency off

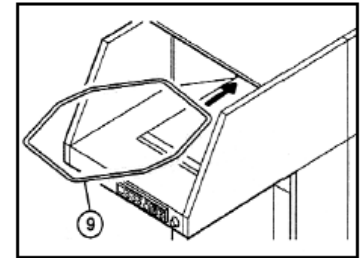


**For NATIONWIDE SERVICE Call 1(800)225-9293**

# OPERATING Cont.....

## Starting the Machine

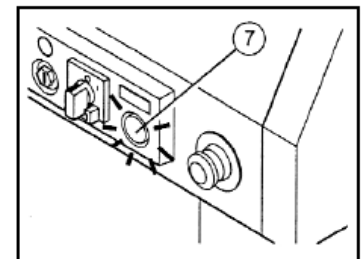
Do not shred any material which may loop or splinter. Material, which does not go through the cutting head can only be pushed in with the pusher (9). In case of danger, press emergency off button (8).



- Turn main switch (6) into position "I"
- Emergency button (8) must be unlocked (turn to the right)
- Turn on the key switch (4) turn to the right then the standby (5) illuminates
- Press and release the black button (1) conveyor belt is running
- Feed the paper over the total width of the conveyor belt

In case the quantity of material inserted is increased, the machine automatically changes to a more powerful and slower function. If this performance is still not sufficient the machine starts to reverse shortly and afterwards runs again forward. The machine switches between both speed levels until all material inserted is fully destroyed.

**Attention!** If possible let the machine work at its normal speed.  
Shred continuous paper only in stacks



## Stopping the machine

- Press the red key (2) or press the emergency "OFF" button (8)
- Keep hands away from the running shredding mechanism!**
- Yellow pilot light (7) appears, temperature of motor is too high (Decrease the material on the conveyor belt to make the machine work in normal speed)
  - Yellow pilot light (7) lights up, temperature is too high (wait approximately 10 to 20 minutes until motor cools down)

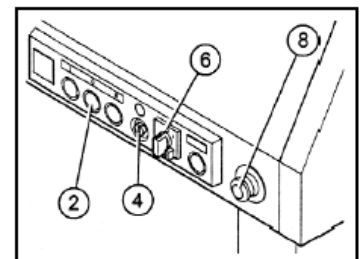
## Stopping the Machine

For short breaks

- Press and release the red button (2) conveyor belt stops

For longer breaks

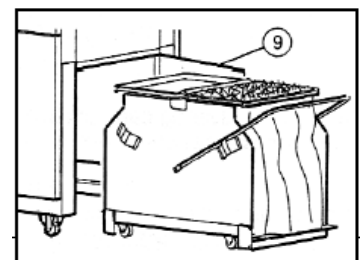
- Turn the main switch (6) to position "O" the entire machine shuts down
- Turn the key switch (4) and remove the key-now the machine is secured from unauthorized use



## Changing the Waste Bag

If the lamp waste bag full lights up you should empty the waste bag.

- Open the door (9)
- Pull out the waste bin from the machine



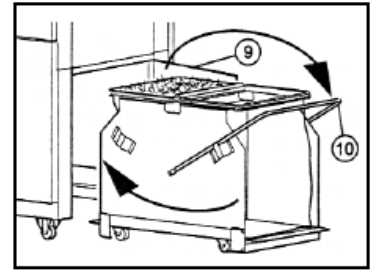
**For NATIONWIDE SERVICE Call 1(800)225-9293**

# OPERATING Cont...

## Changing the Waste Bag Cont...

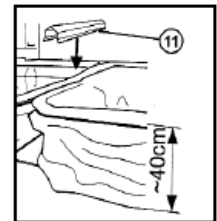
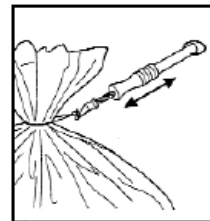
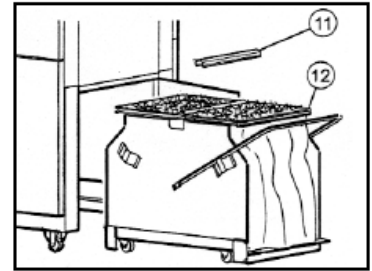
If one of both bags is full

- Turn the handle (10) to empty waste bag
- Turn the waste bin and push it into the machine with full plastic bag in front
- Close the door (9)



If both bags are full

- Remove the metal cover (11)
- Remove the round belt from the waste bag frame (12)
- Remove waste bags for storage on pallet.
- Tie the bags (for sealing parts and binding wires see accessories)
- Place a new bag into the bag frame and fold it down approximately 12" to 15" to the outside. Tighten the bag with the plastic band
- Fasten the bag with the round belt
- Attach the metal cover (11)
- Close the door
- Check the function of the door switch. Start the machine.  
If the door is open the machine has to stop immediately

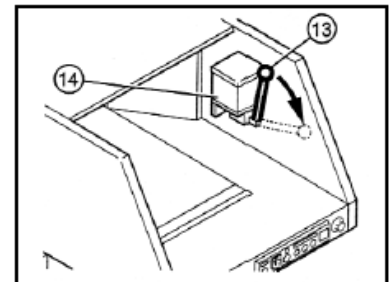


**Note:** Waste collection bags SEM part number for single bin - 6425B190 25/box  
Waste collection bags SEM part number for dual troll bin -639B140A 50/box

## Oiling the Shredding Mechanism

If the sheet capacity reduces or after bag is full we recommend that you oil the shredding mechanism:

- Move the lever (13) of the oil pump once
- After this lubrication please let the machine run several times Backwards and forwards alternately
- If the tank (14) is empty refill oil.  
Type of oil: SEM Shred Oil #647OILHV (4 Gallon case)



**For NATIONWIDE SERVICE Call 1(800)225-9293**

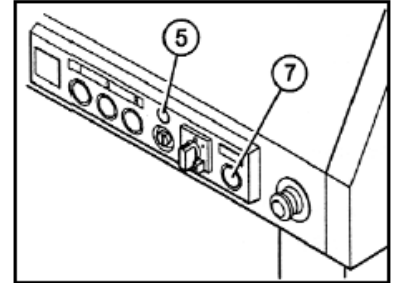
# TROUBLESHOOTING

---

**Danger!** Disconnect from the mains before starting any service work or before removing the cover.

**Malfunction:** Standby (5) is not lighting up

**Cause:** The door is open  
Main switch is OFF  
The emergency button is pressed  
Key switch is not plugged in  
On-site fuse  
Machine is overloaded the motor protection switch is re-activated after 10 minutes



**Malfunction:** Motor makes a buzzing noise and the machine shows no performance

**Cause:** One phase is missing

**Remedy:** Check if all three phases are supplied with electric power (voltage) by an electrician

**Malfunction:** Machine door is difficult to open

**Cause:** Guiding bar of the lower cutting head cover is dirty

**Remedy:** Clean and grease the guiding bar

**Malfunction:** Machine switches off during normal operation

**Cause:** Bag full control light will light – Shred bag is full

**Remedy:** Change waste bag

Or

**Cause:** Yellow pilot light (7) lights up, temperature of the motor is too high

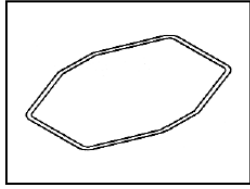
**Remedy:** Wait approximately 10 to 20 until machine cools down

**For NATIONWIDE SERVICE Call 1(800)225-9293**

## ACCESSORIES

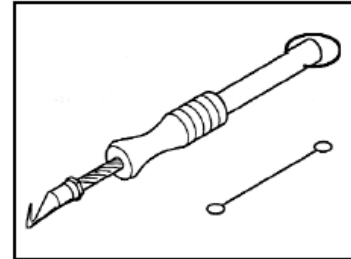
---

Pusher 9000 593



For closing the plastic bags: Locking device 9000 591  
Binding wire (1000 pieces) 9000 597

**Important:** Only use manufacturer recommended accessories



## TECHNICAL DATA

---

Shred Capacity:	Up to 500 sheets
Shred Size:	5/16" x 3-1/8"
Speed:	45 FPM
Horsepower:	12-3/4HP (Dual drive 2 speed)
Dimensions:	67-1/2" H x 40-3/4" W x 85-1/2" D
Weight:	2500 lbs.
Power:	208V/230V 3 Phase

## RECOMMENDED SPARE PARTS

---

Replacement Plastic Waste Bags #190 for single bin  
Replacement Plastic Waste Bags #140 for dual troll bin  
Shredder Lubricating Oil 4 Gallon Case

Part Number 642B190 25/Box  
Part Number 639B140A 50/Box  
Part Number 647OILHV

**For NATIONWIDE SERVICE Call 1(800)225-9293**

# **USING AND ORDERING SPARE PARTS**

---

- Only use original SEM spare part replacements
- We guarantee their quality and functional reliability
- Warranty claims on parts and/or service must be approved by SEM's Customer Service Manager

## **Hints for Ordering Spare Parts**

The spare parts shown on the following pages are designated by part numbers.

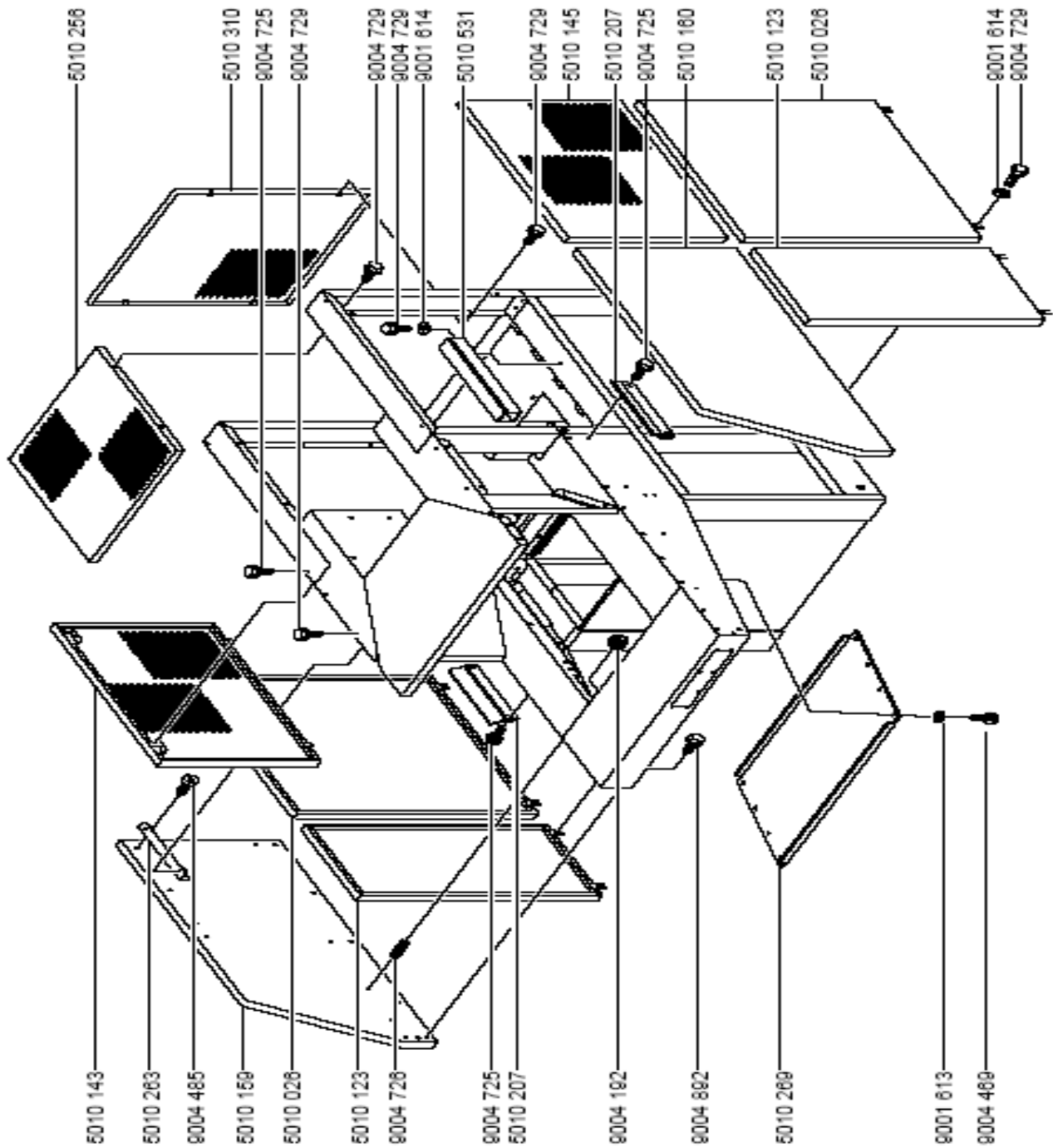
In order to avoid errors and the delivery of wrong parts, each parts order should contain the following information:

- Machine No. (See nameplate)
- Part No. and designation of desired spare parts
- Quantity of desired spare parts
- Desired mode of shipment (e.g. post, freight, express)
- Full billing & shipping addresses, including contact person & telephone

**For NATIONWIDE SERVICE Call 1(800)225-9293**

# Mod.7050-2 C

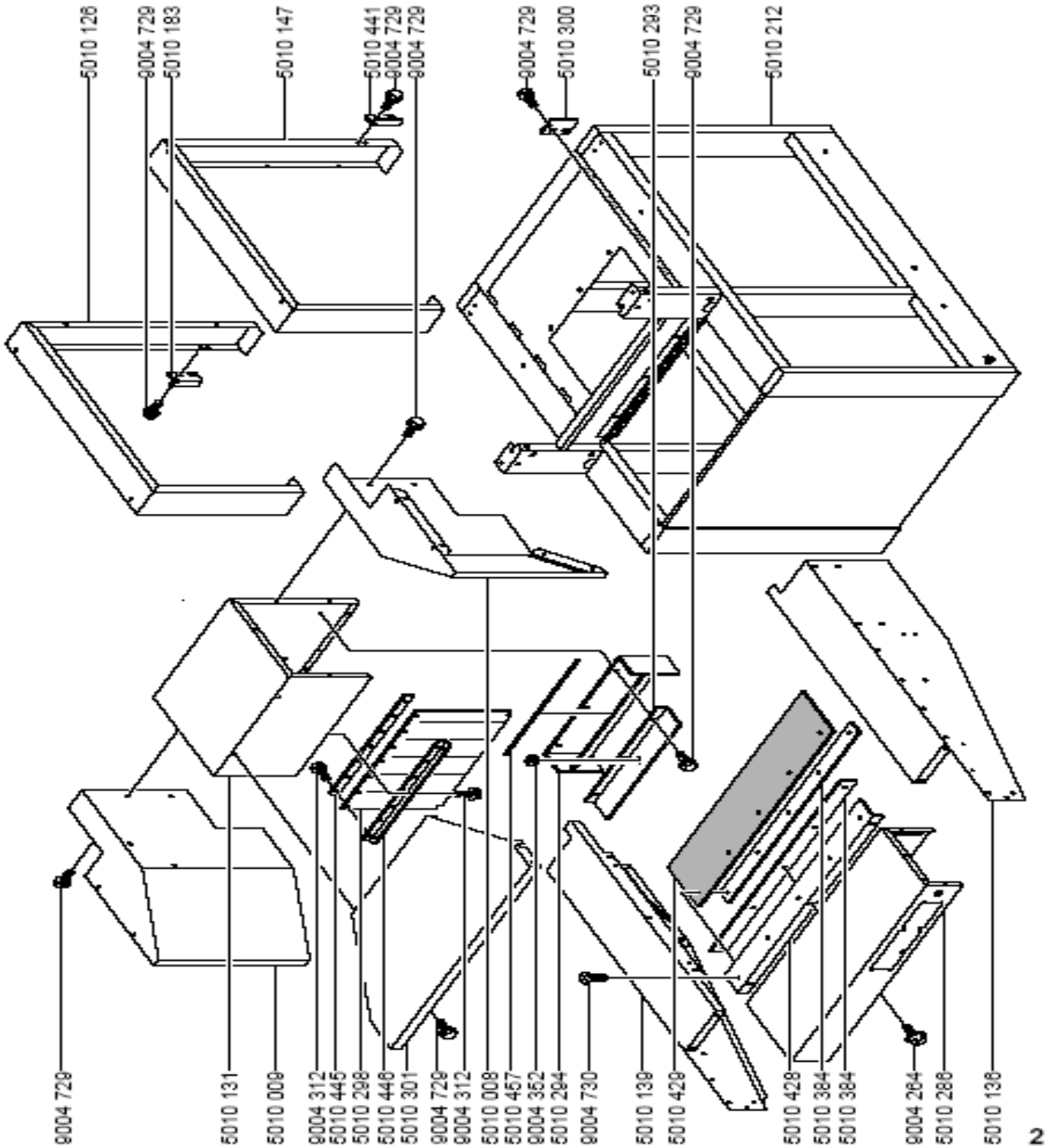
01.11.2000



**For NATIONWIDE SERVICE Call 1(800)225-9293**

# Mod.7050-2 C

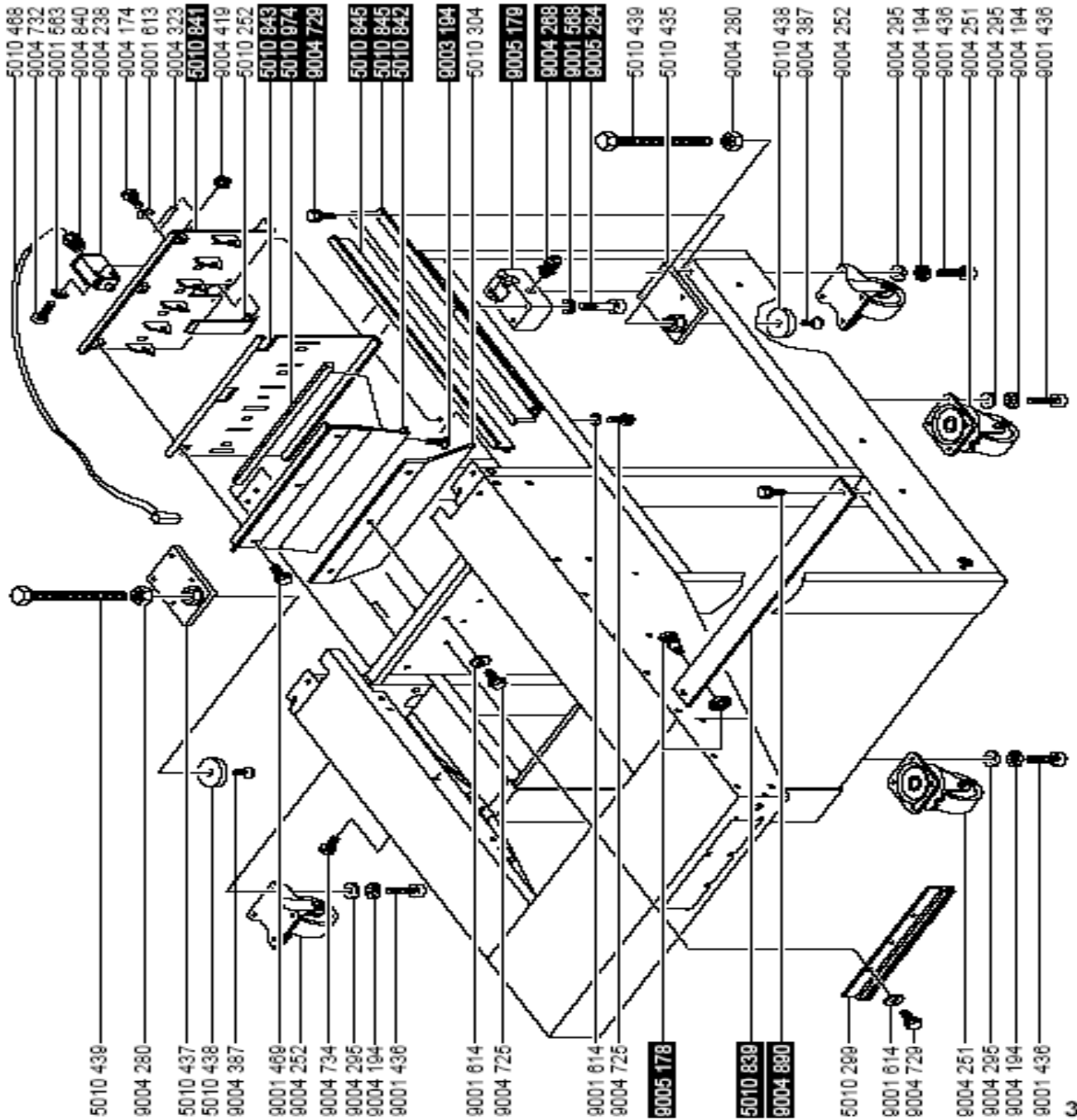
01.12.2002



**For NATIONWIDE SERVICE Call 1(800)225-9293**

# Mod.7050-2 C

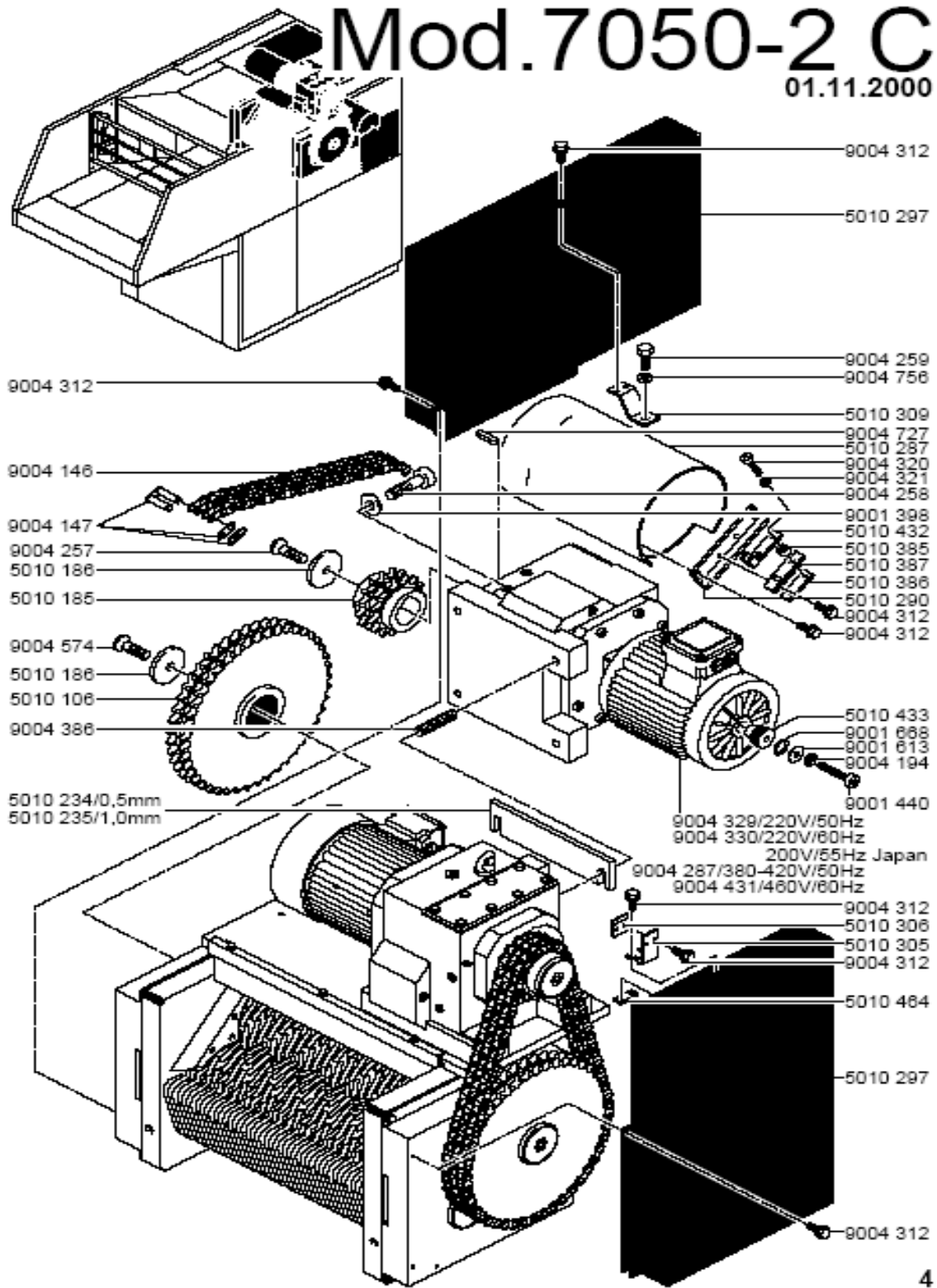
01.06.2003



**For NATIONWIDE SERVICE Call 1(800)225-9293**

# Mod.7050-2 C

01.11.2000

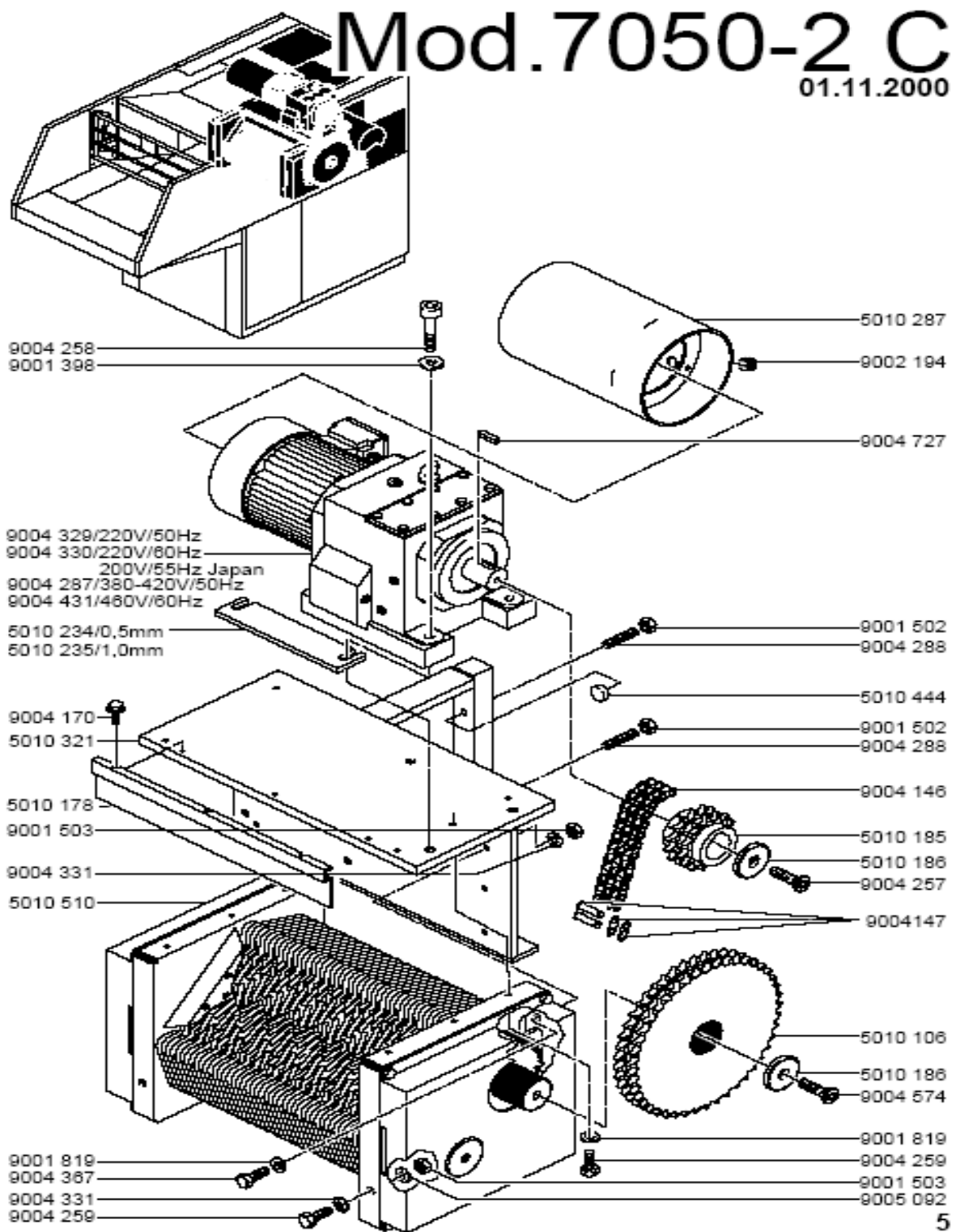


4

**For NATIONWIDE SERVICE Call 1(800)225-9293**

# Mod.7050-2 C

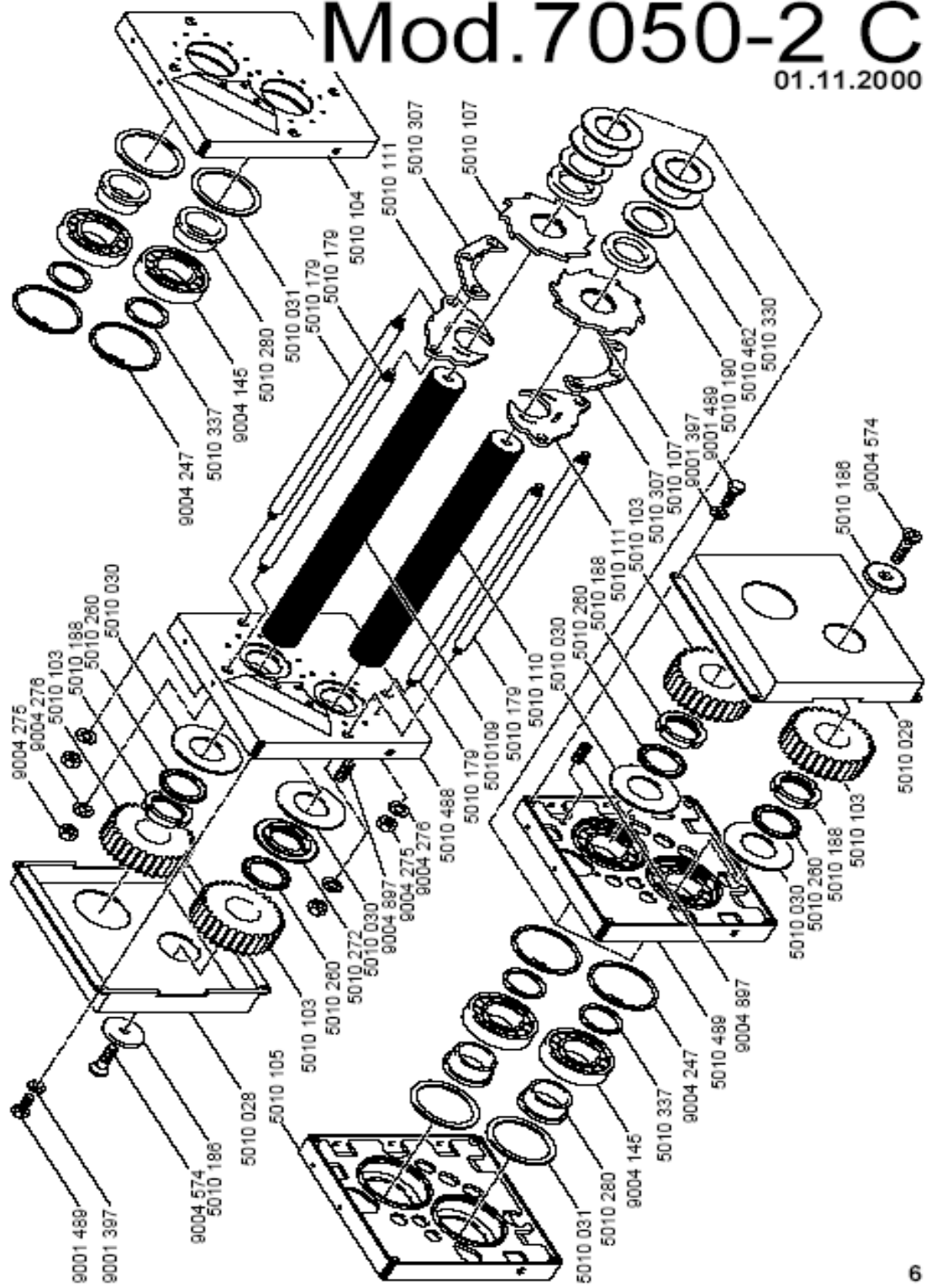
01.11.2000



**For NATIONWIDE SERVICE Call 1(800)225-9293**

# Mod.7050-2 C

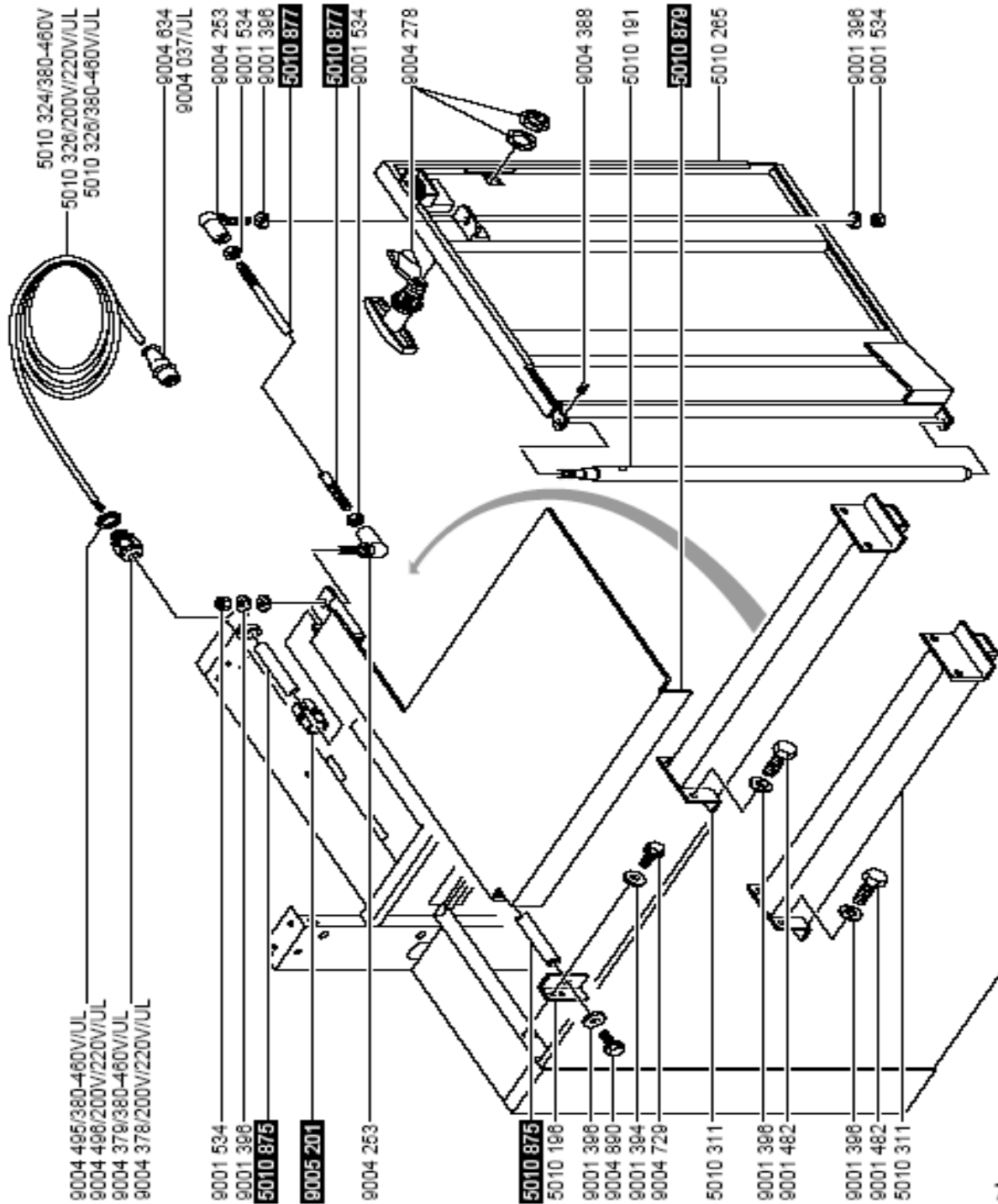
01.11.2000



**For NATIONWIDE SERVICE Call 1(800)225-9293**

# Mod.7050-2 C

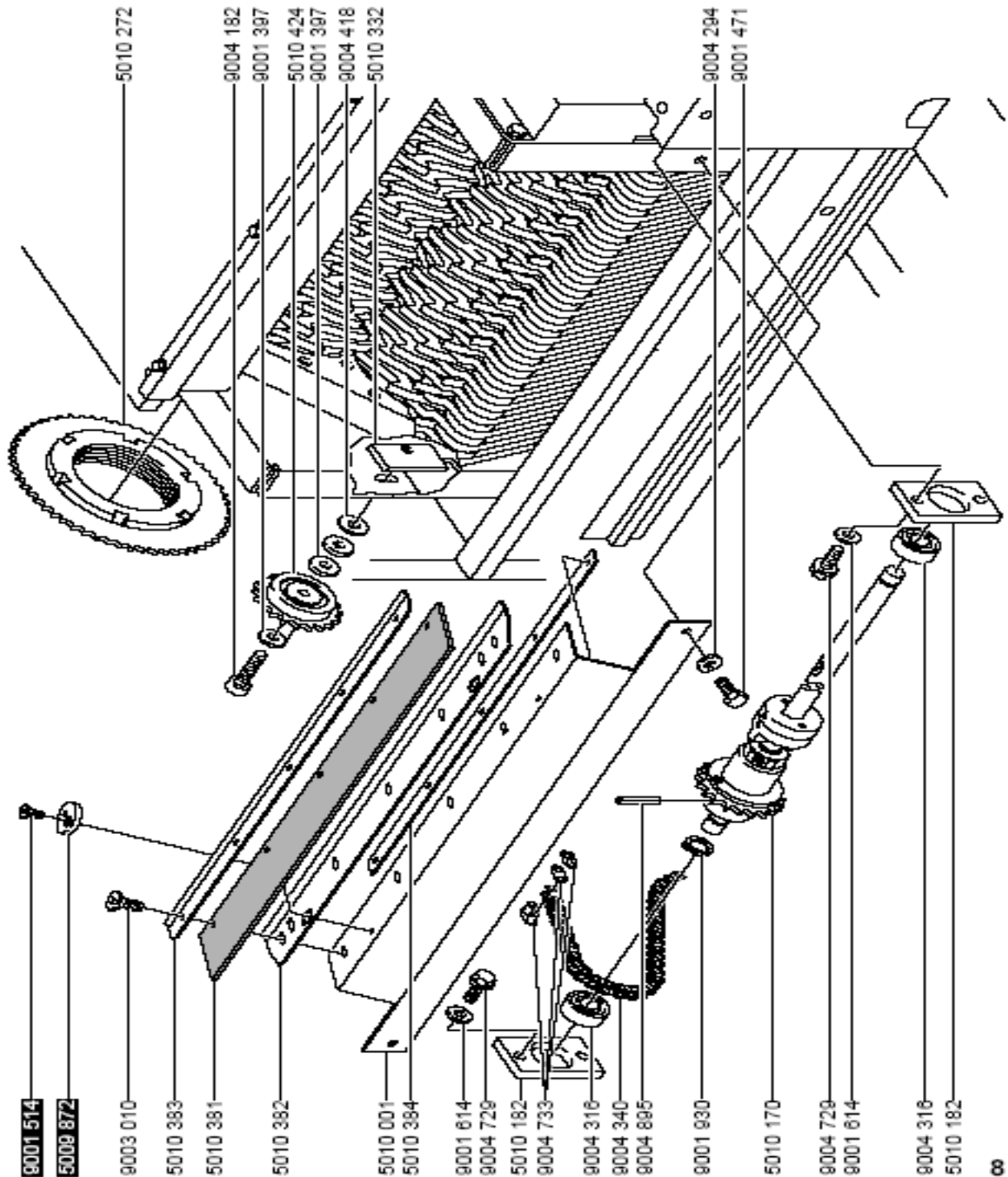
01.11.2000



For NATIONWIDE SERVICE Call 1(800)225-9293

# Mod.7050-2 C

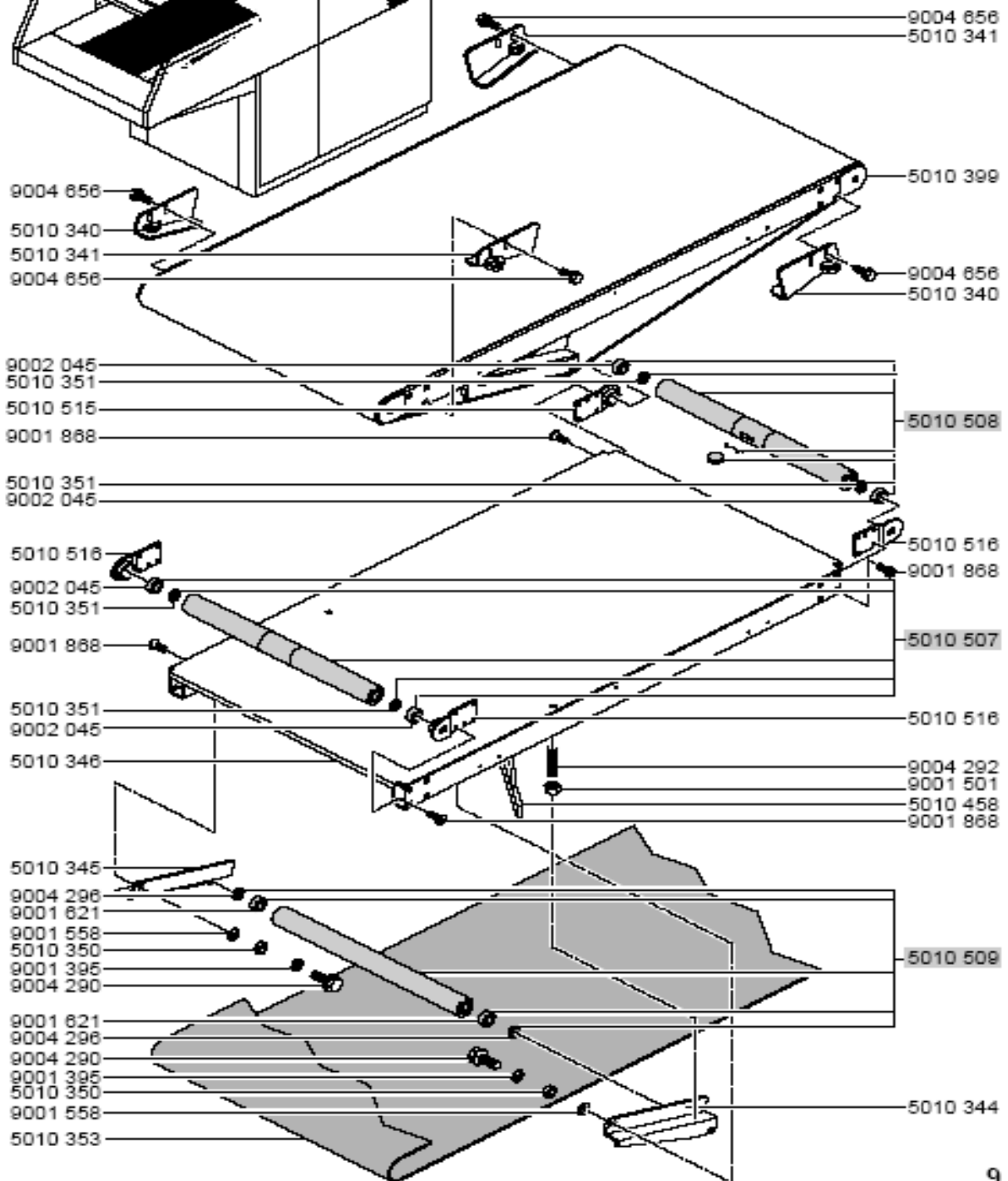
01.11.2000



**For NATIONWIDE SERVICE Call 1(800)225-9293**

# Mod.7050-2 C

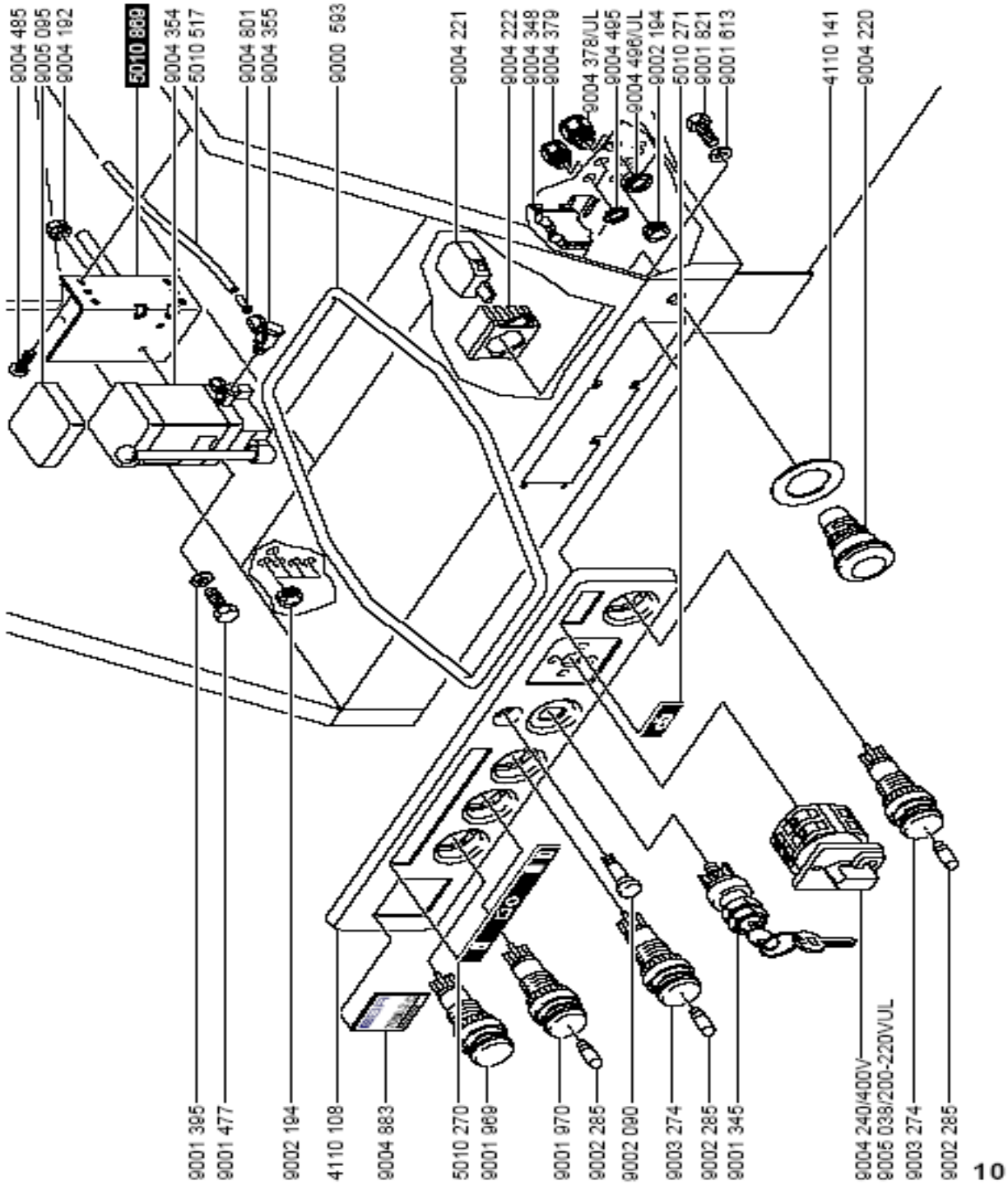
01.11.2000



**For NATIONWIDE SERVICE Call 1(800)225-9293**

# Mod.7050-2 C

01.11.2000

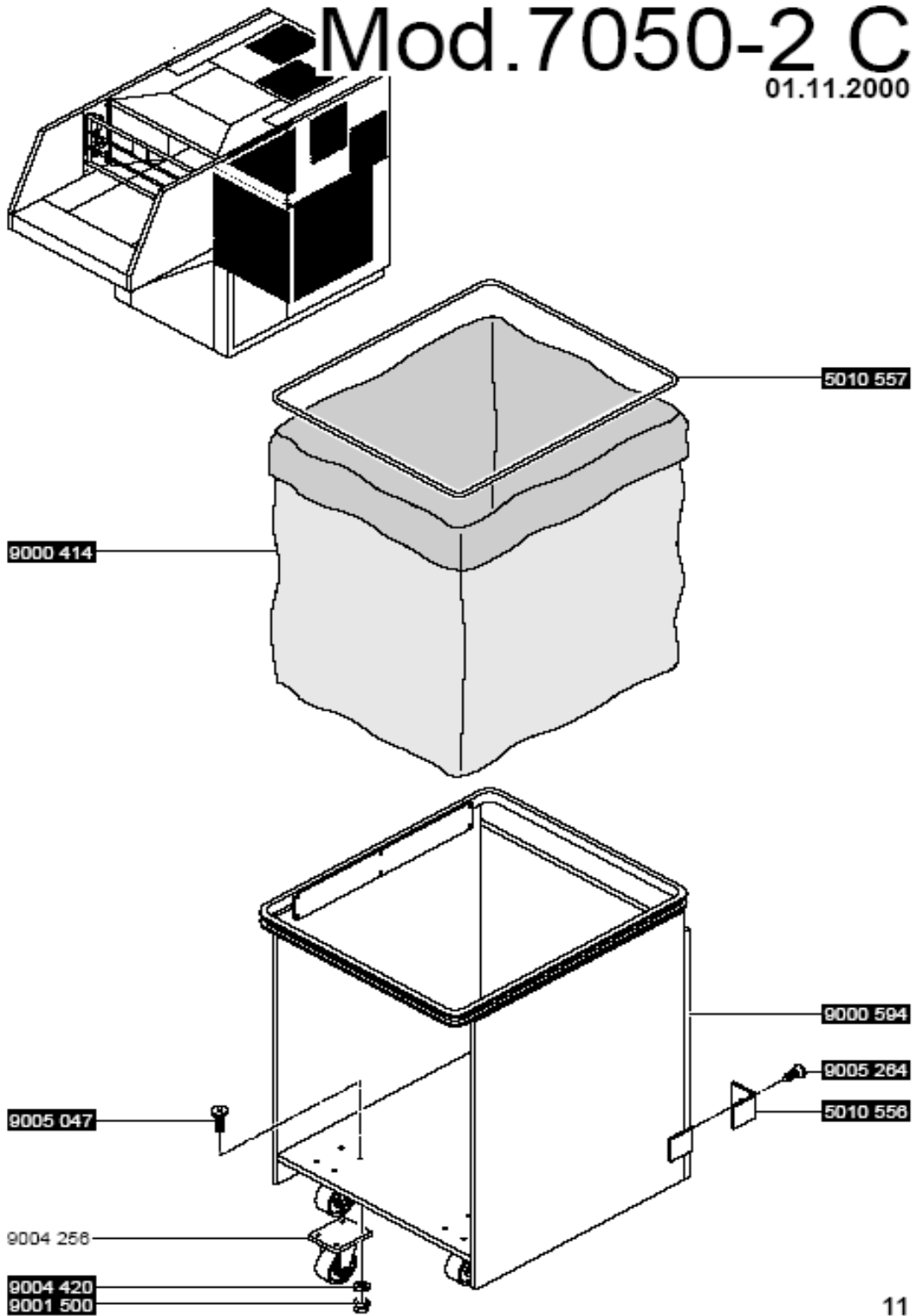


10

**For NATIONWIDE SERVICE Call 1(800)225-9293**

# Mod.7050-2 C

01.11.2000

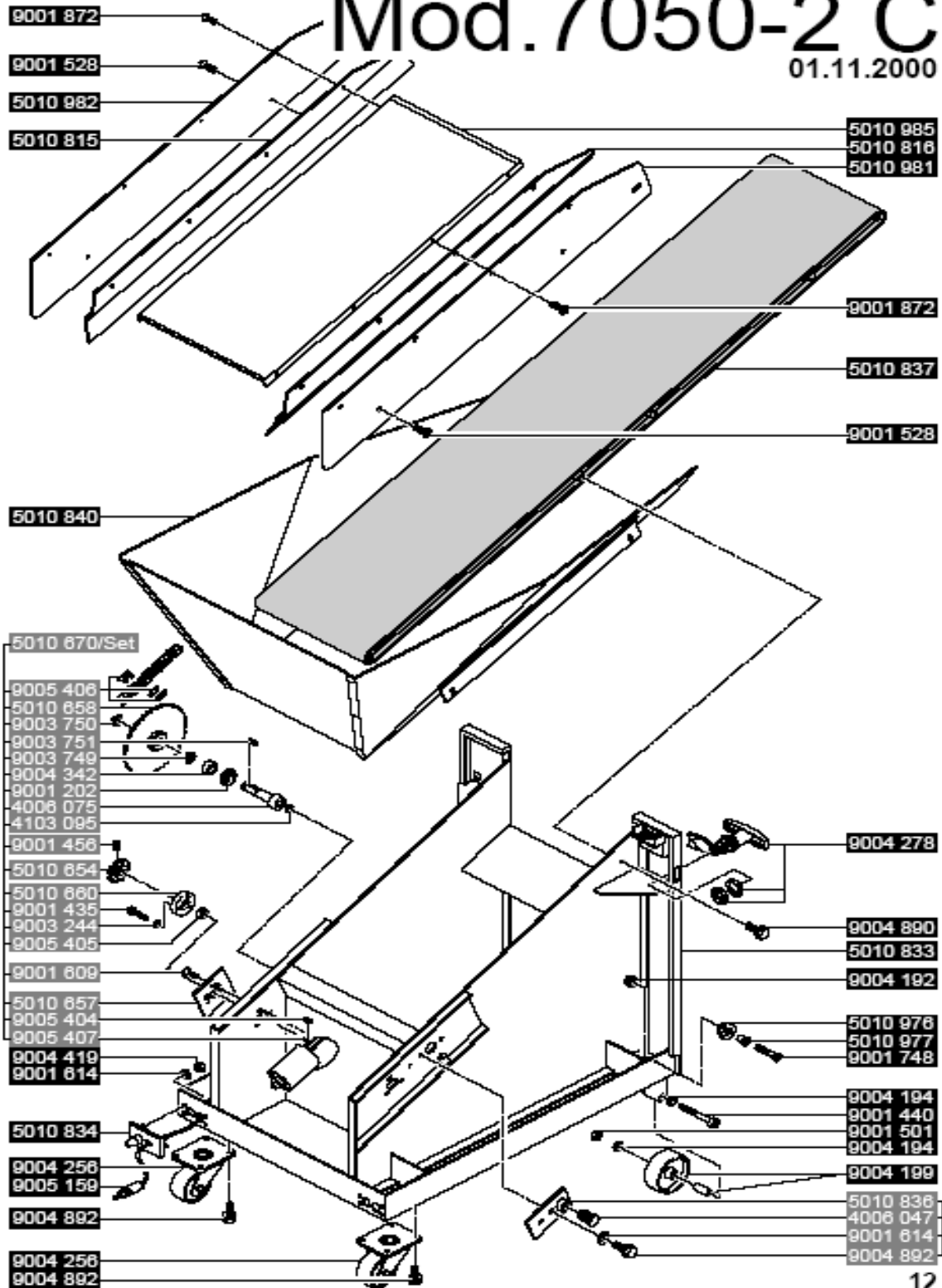


11

**For NATIONWIDE SERVICE Call 1(800)225-9293**

# Mod.7050-2 C

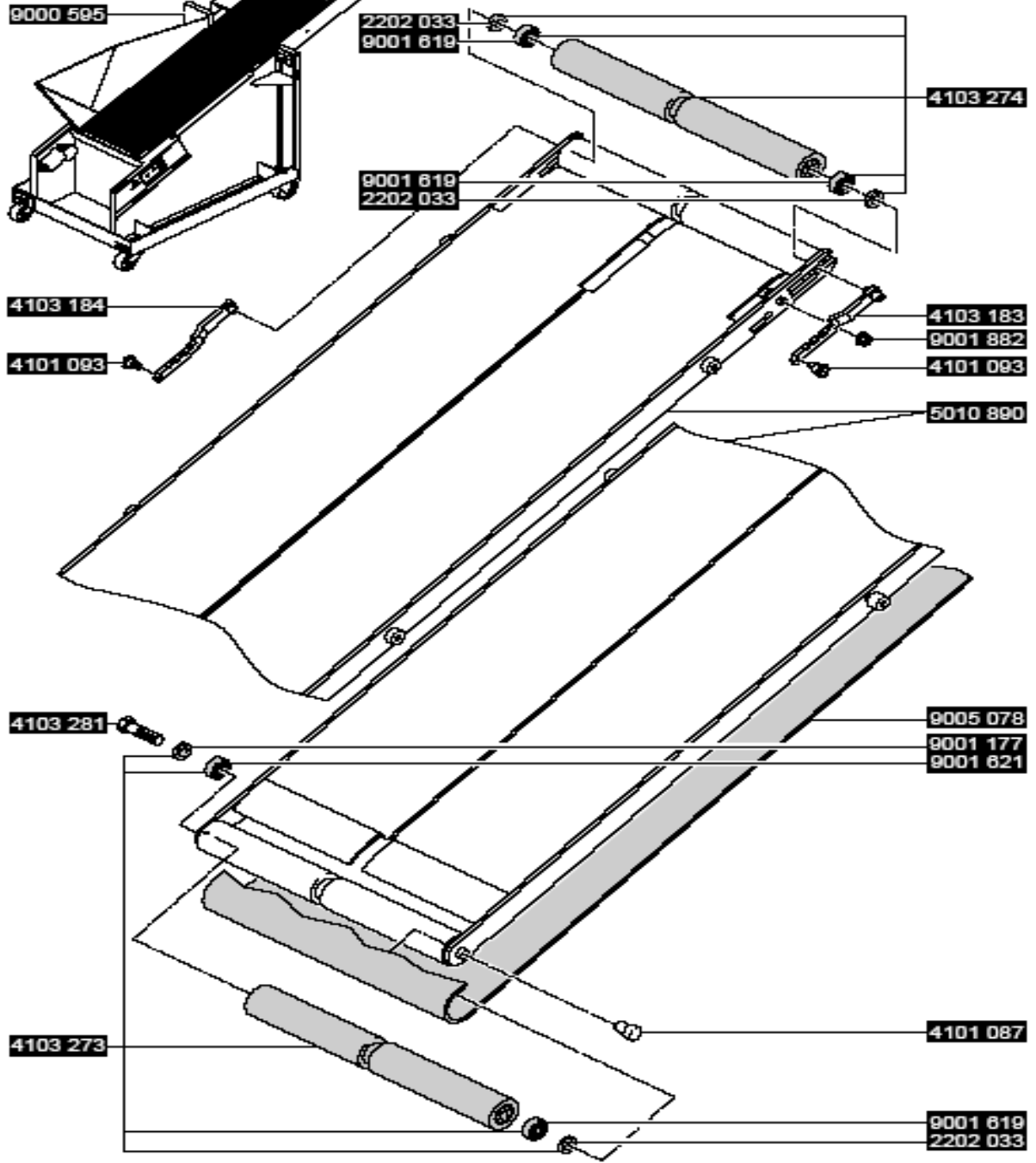
01.11.2000



**For NATIONWIDE SERVICE Call 1(800)225-9293**

# Mod.7050-2 C

01.11.2000

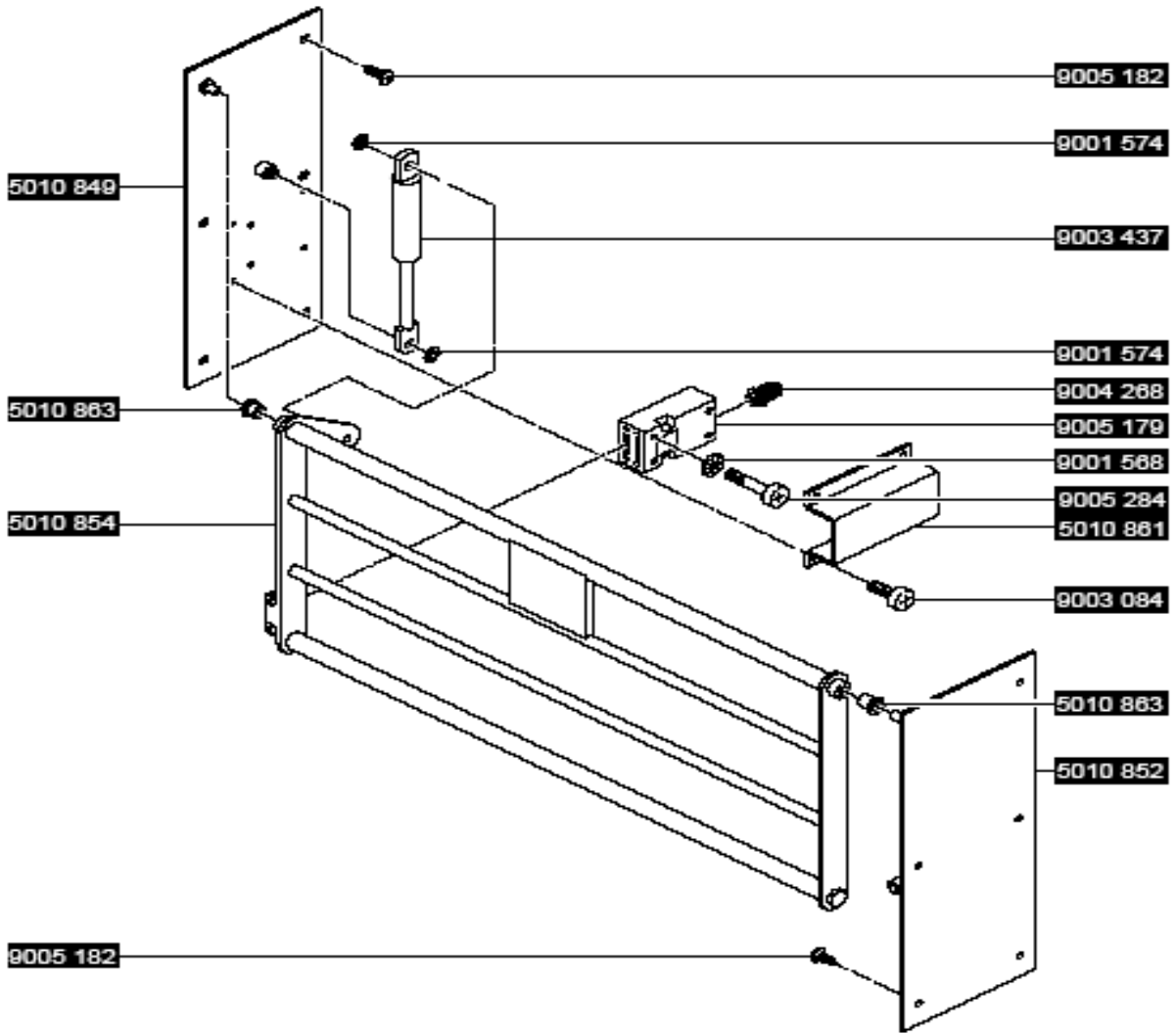
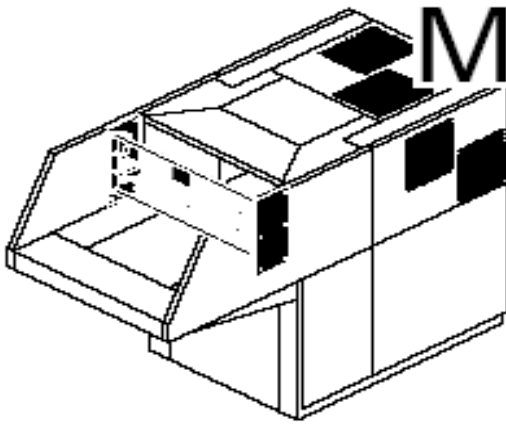


13

**For NATIONWIDE SERVICE Call 1(800)225-9293**

# Mod.7050-2 C

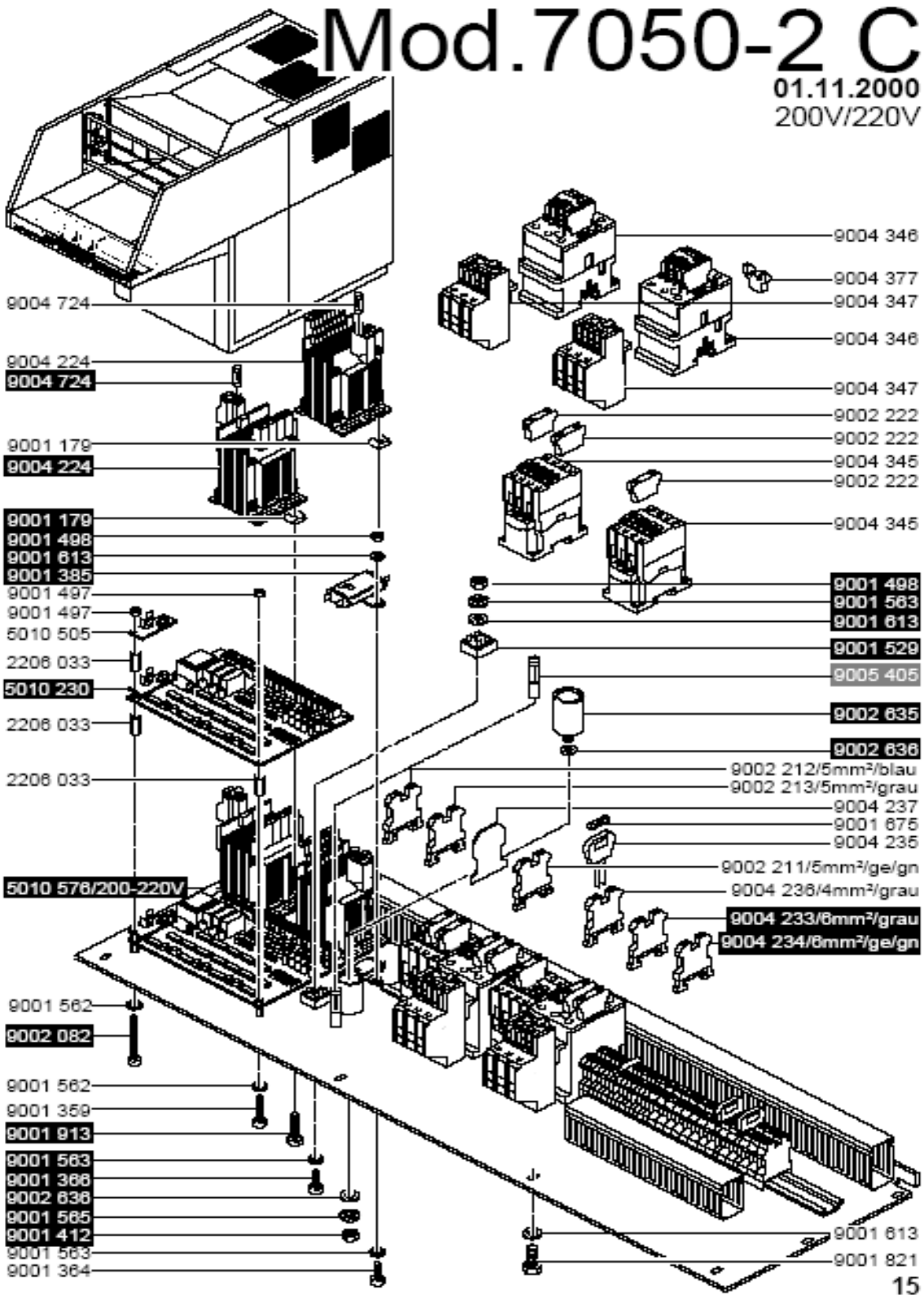
01.11.2000



**For NATIONWIDE SERVICE Call 1(800)225-9293**

# Mod.7050-2 C

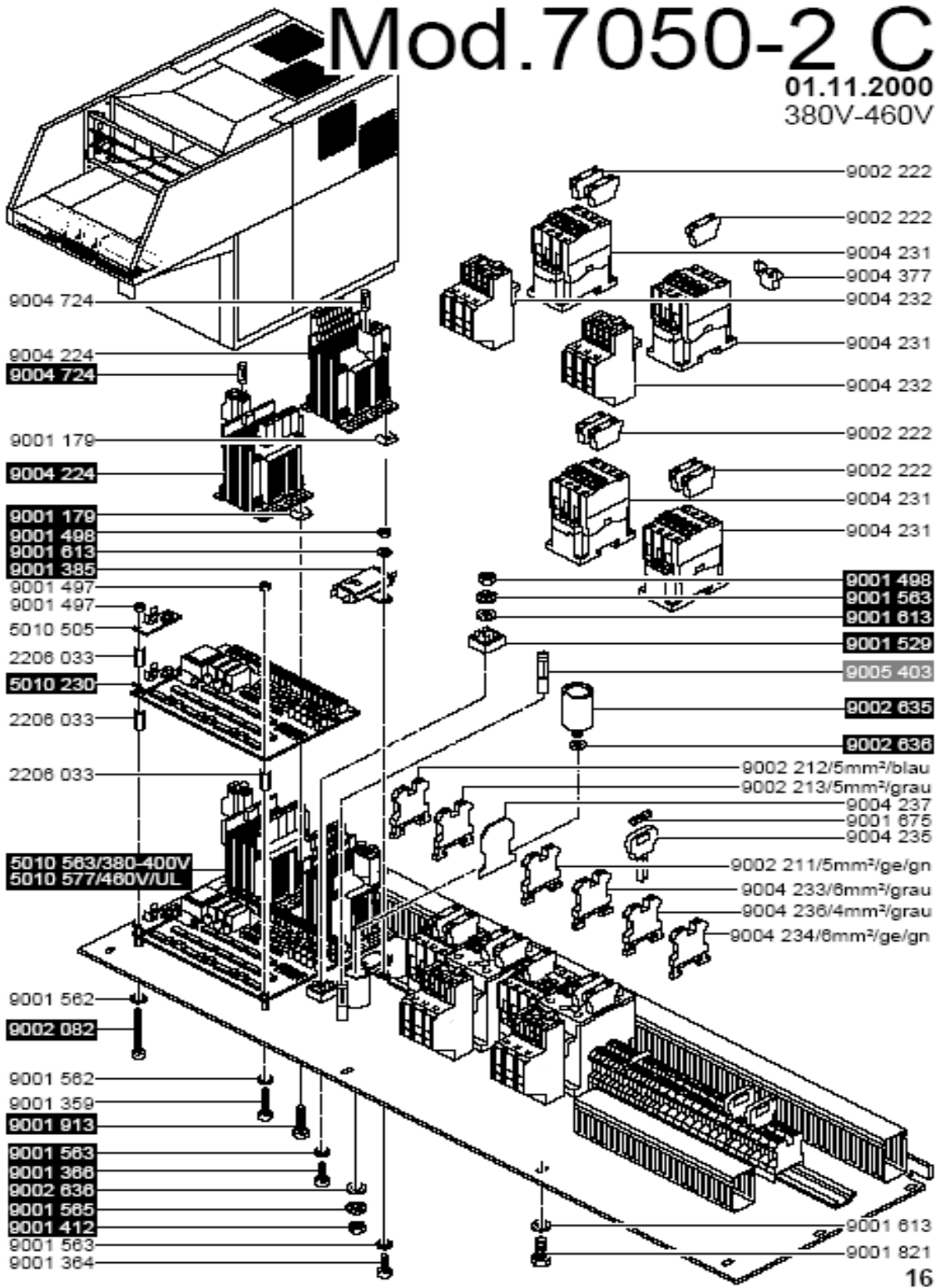
01.11.2000  
200V/220V



**For NATIONWIDE SERVICE Call 1(800)225-9293**

# Mod.7050-2 C

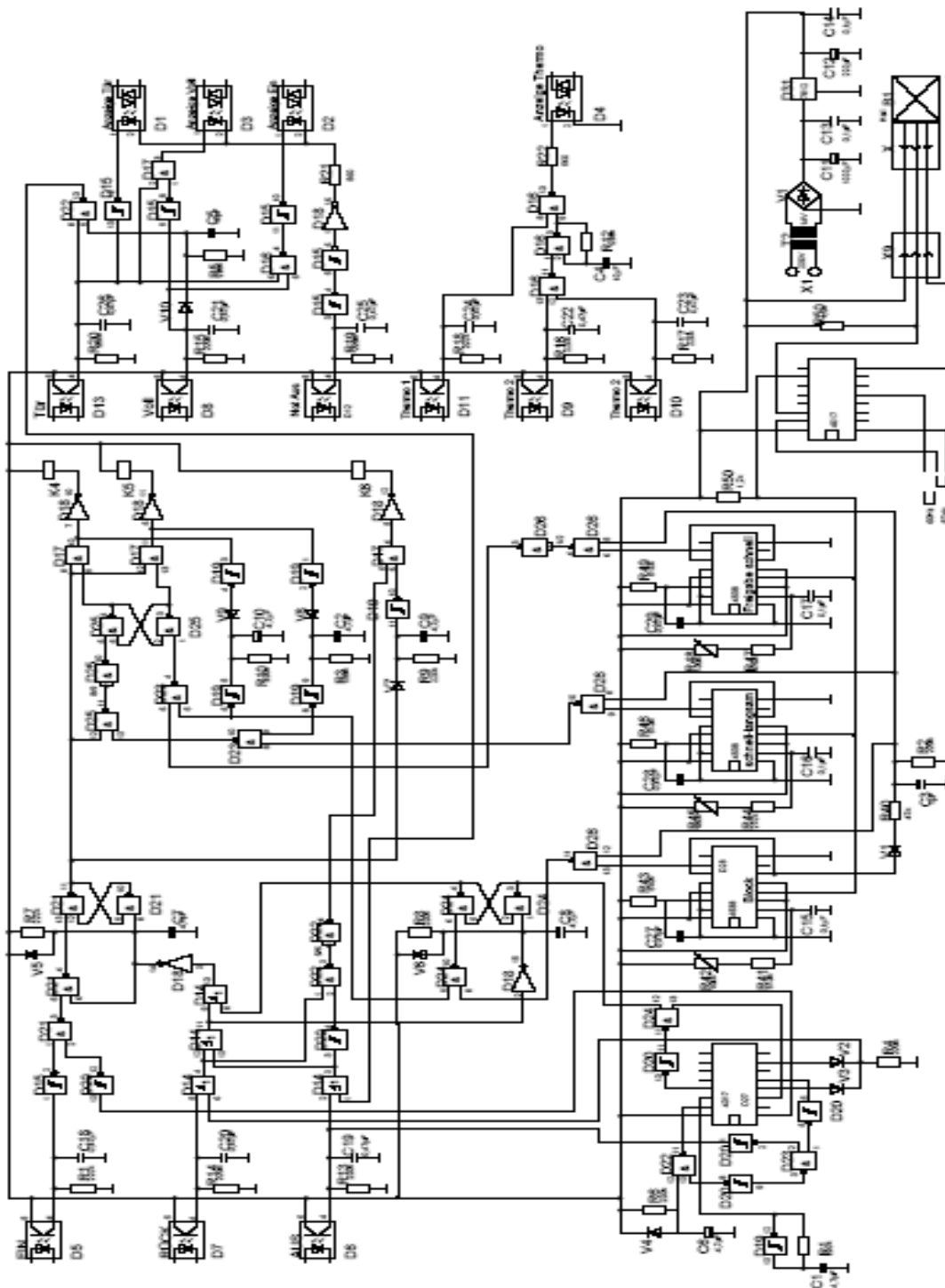
01.11.2000  
380V-460V



**For NATIONWIDE SERVICE Call 1(800)225-9293**

# Mod.7050-2 C

01.11.2000



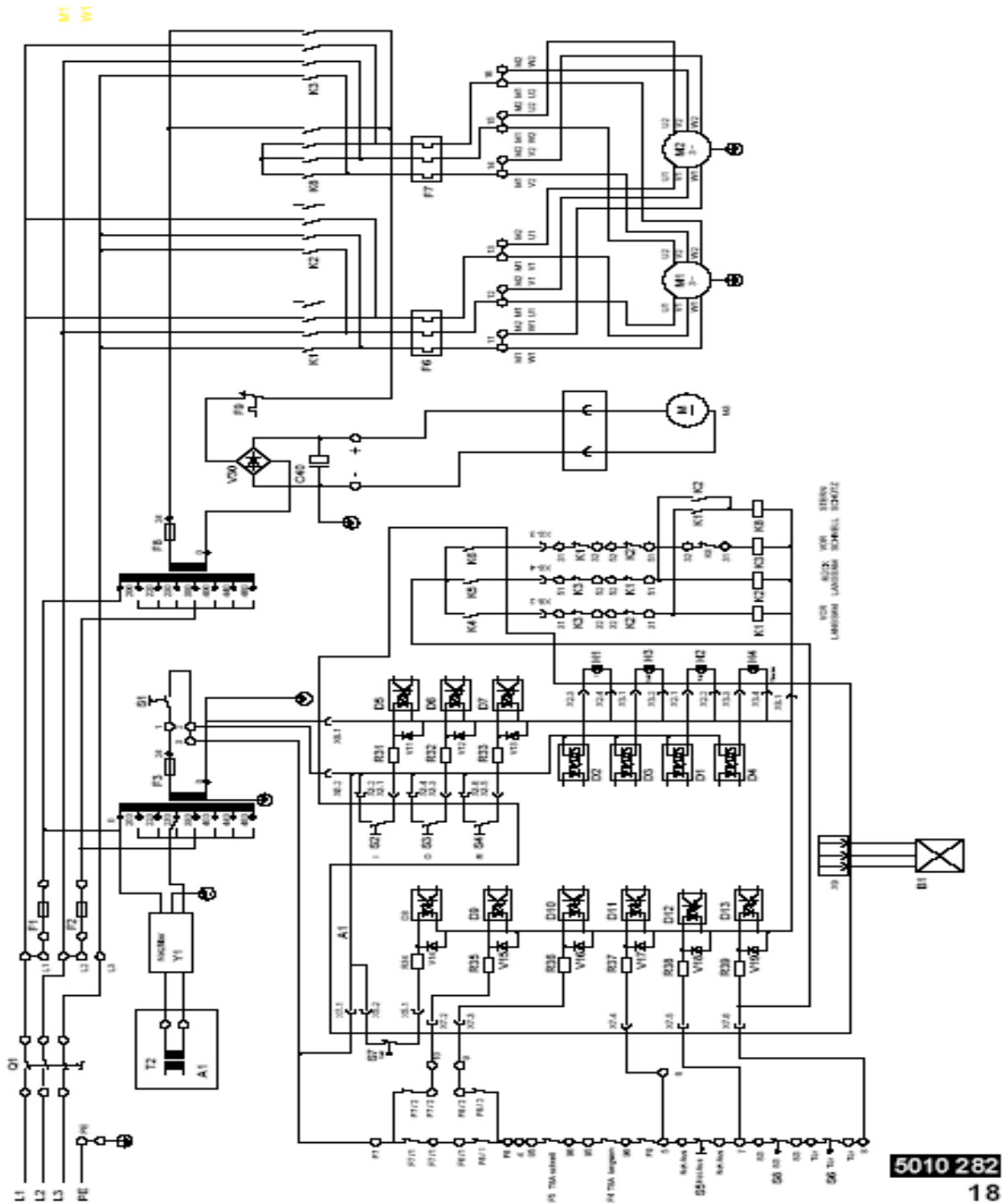
Stromlaufplan für Leiterplatte 7050-2 C  
Stromlaufplan pur Platine de Comande 7050-2 C  
Stromlaufplan for PC - Board 7050-2 C

5010 514  
17

**For NATIONWIDE SERVICE Call 1(800)225-9293**

# Mod.7050-2 C

01.11.2000



For NATIONWIDE SERVICE Call 1(800)225-9293

# Mod.7050-2 C

01.11.2000

## Index 7050-2 C

Code	Deutsch	English	Francais	Holländisch	Italiano	Espanol
A1	Platine Steuerung	PCB - control	Platine de comande	Stuurprint	Scheda controllo	Placa de control
F1, F2	Sicherung 2,5A	Fuse 2,5A	Fusible 2,5A	Glaszekering 2,5A	Fusibile 2,5A	Fusible 2,5A
F3	Sicherung 6,3A	Fuse 6,3A	Fusible 6,3A	Glaszekering 6,3A	Fusibile 6,3A	Fusible 6,3A
H1	Kontroll Leuchte grün	Pilot light green	Voyant de controle vert	Controle lamp groen	Splia di controllo verde	Luz piloto verde
H2	Glühlampe weiß	Pilot light white	Voyant blanc	Gloeilamp wit	Splia bianco	Luz piloto bianco
H3	Glühlampe gelb	Pilot light yellow	Voyant jaune	Gloeilamp geel	Splia gialla	Luz piloto amarilla
H4	Glühlampe gelb	Pilot light yellow	Voyant jaune	Gloeilamp geel	Splia gialla	Luz piloto amarilla
F4, F5	Motorschutzrelais	Thermal fuse motor	Dijoncteur Thermique	Thermische zekering	Fusibile motore	Fusible motor
K1	Schütz vor langsam	Contacteur slow forward	Contacteur avant lent	Relais, langzaam vooruit	Relé avant lent	Contactor marcha acelerante lenta
K2	Schütz rück	Contacteur reverse	Contacteur Retour	Relais, achteruit	Relé Indietro	Contactor marcha atrás
K3	Schütz vor schnell	Contacteur fast forward	Contacteur avant rapide	Relais, snel vooruit	Relé avanti veloce	Contactor marcha acelerante rapida
K4, K5, K6	Relais Leiterplatte	Relay PCB	Relais Platine	Relais print	Relé PCB	Relé placa circuito
K8	Sternschütz	Star contactor	Contacteur Etoile	Relais (Ster-Driehoek)	Relé start	Contactor de inicio
M1, M2	Motor mit Getriebe	Motor	Moteur	Aandrijf motor	Motore	Motor
M3	DC - Motor mit Getriebe	DC - Motor	DC - Moteur	DC - Aandrijf motor	DC - Motore	DC - Motor
Q1	Hauptschalter	Main switch	Interrupteur principal	Hoofdschakelaar	Interruttore principale	Interruptor principal
S1	Schaltenschloß	Key switch	Contacteur à clé	Sleutelschakelaar	Interruttore a chiave	Interruptor de llave
S2	Druckklasten "EIN"	Push-button on	Touche de commande marche	Drukschakelaar (aan)	Pulsante d'arresto	Botón de avance
S3	Druckklasten "AUS"	Push-button off	Touche Arrêt	Druknop uit	Pulsante off	Botón de paro
S4	Druckklasten "RÜCK"	Push-button reverse	Touche Retour	Druknop terug	Pulsante indietro	Botón demarcha atrás
S5	Not-Aus-Taster	Emergency cutout	Touche de commande	Noodschakelaar	Interruttore d'arresto d'emergenza	Corte de emergencia
S6	Sicherheitsschalter Tür	Safety switch Door	Micro-contact rampe	Veiligheidsschakelaar (deur)	Interruttore di sicurezza dello sportello	Micro interruptor de seguridad puerta
S7	Schalter "Sack voll"	Switch "bag full"	Micro-contact sac plein	Schakelaar (Zak vol)	Interruttore "sacco pieno"	Micro interruptor de "bolsa llena"
T1	Transformator	Transformer	Transformateur du circuit de commande	Transformator	Transformatore	Transformador
X9	Kfz - Stecker	Car plug	Prise de connexion	Adapter	Spina della macchina	Enchufe de automovil
Y1	Netzfilter	Power line filter	Filtre Alimentation	Neffilter	Filtro linea	Filtro línea de fuerza eléctrica
Y2 - Y5	RC-Entstörglied	Arc suppressor	Antiparasite	RC ontstoorpoel	Filtro di rete	Antiparasitos

For NATIONWIDE SERVICE Call 1(800)225-9293



# Security Engineered Machinery Co., Inc. Product Information



### Paper Shredders, Disintegrators/Industrial Shredders

Contract Number: GS-02F-0111P  
 Contract Period: October 1, 2006 to September 30, 2011  
 C3615 Shredders / Degaussers  
 C3615 Accessories/Attachments for Shredders and Disintegrators  
 C3615 Spare parts for Shredders and Disintegrators  
 C3615 Disintegrators  
 C3615 Remanufactured Disintegrators



**Paper Shredders • Disintegrators • Security Containers • Optical Media Declassifiers  
Shredding / Destruction Services**

For detail product information including all application and specifications, contact our Customer Service Department at 1-800-225-9293 or visit us on line at [www.semshred.com](http://www.semshred.com) for commercial customers and [www.fedshred.com](http://www.fedshred.com) for government customers.