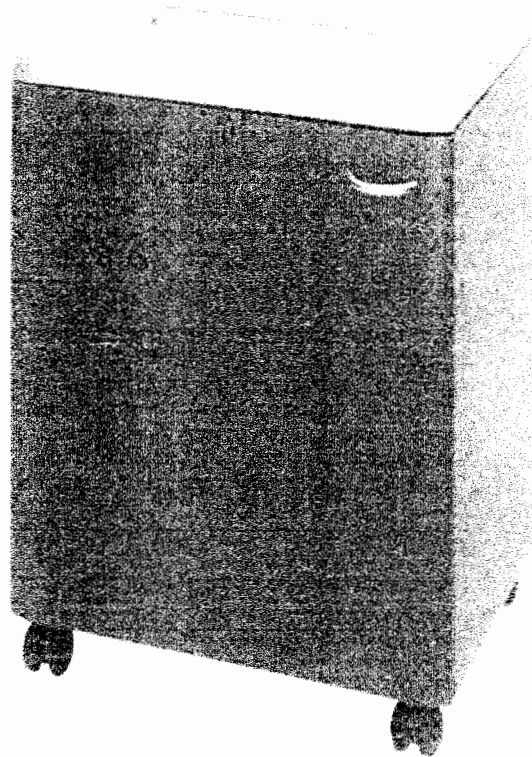




**SECURITY ENGINEERED MACHINERY**

*The World's Largest Manufacturer and Supplier of Paper Shredders*

**MODEL 2125S & 2125P  
PAPER SHREDDER  
OPERATING INSTRUCTIONS**



## \*\*\*IMPORTANT SAFETY PROCEDURES\*\*\*

Your new paper shredder incorporates powerful, heavy duty cutting mechanisms.

**Serious and permanent injury may result** if proper precautions are not followed.



1. This equipment should never be operated by children or individuals untrained in or incapable of understanding the safety precautions!



2. Do not reach into the feed opening for any reason! Never insert fingers, hands, other extremities or objects not meant to be shredded into the feed openings!



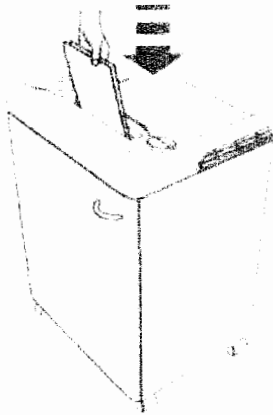
3. Do not operate or come in close proximity to this equipment wearing long hair, necktie, loose clothing or jewelry, which may activate a photoelectric on/off switch and/or be pulled into the machine!



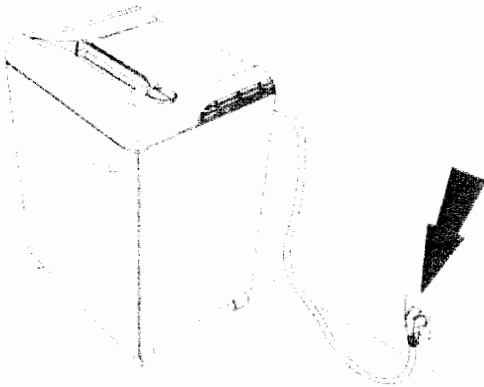
4. Maintenance or repair of this equipment should be performed only by trained, authorized service personnel.

5. Always disconnect electric power (unplug) before removing or opening the cover or other panel giving access to internal mechanisms.

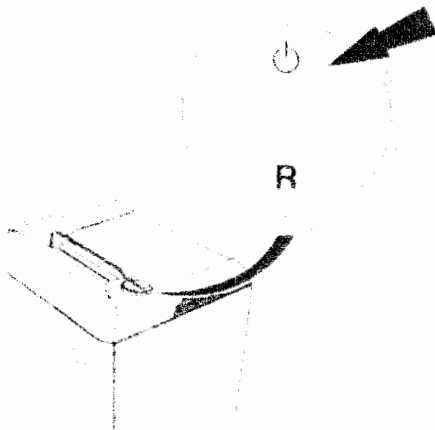
- Safety precautions



The door must be closed when operating the document shredder.



Ensure free access to mains



When not in use for a longer, fine switch off

• Safety precautions

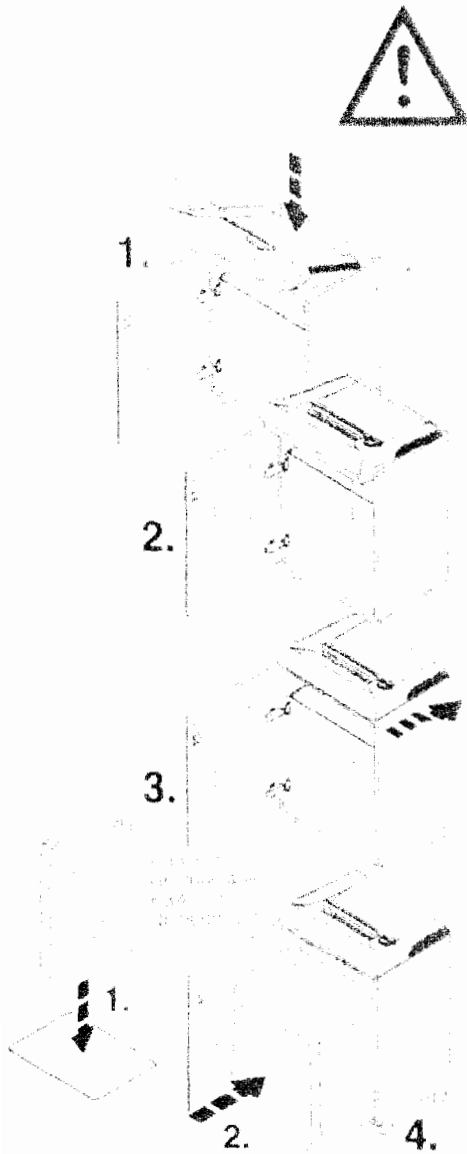
---



Remove the plug before cleaning the machine.

Do not perform any repairs on the document shredder! (See page 20).

• Installation



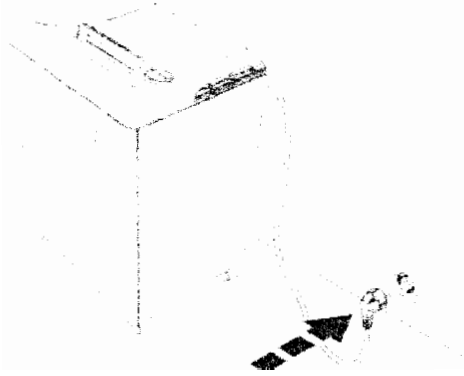
Open the door, put the machine onto the cabinet and release. (See picture on the left).

Beware of fingers!  
Risk of injury!

Insert the enclosed plastic bag.

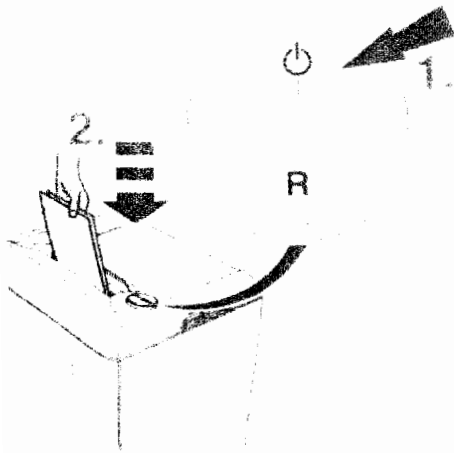
• Installation

---



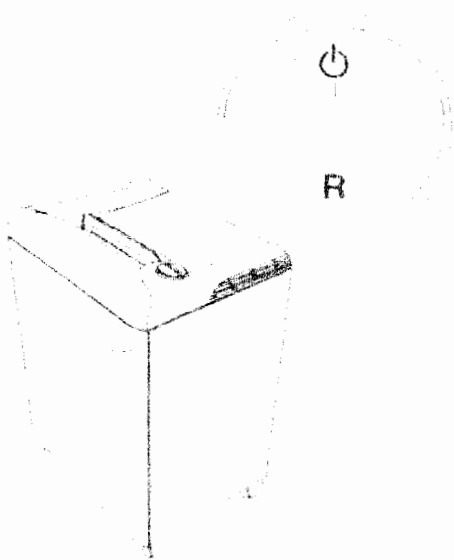
Close the door. Plug into the wall socket.

• Operation



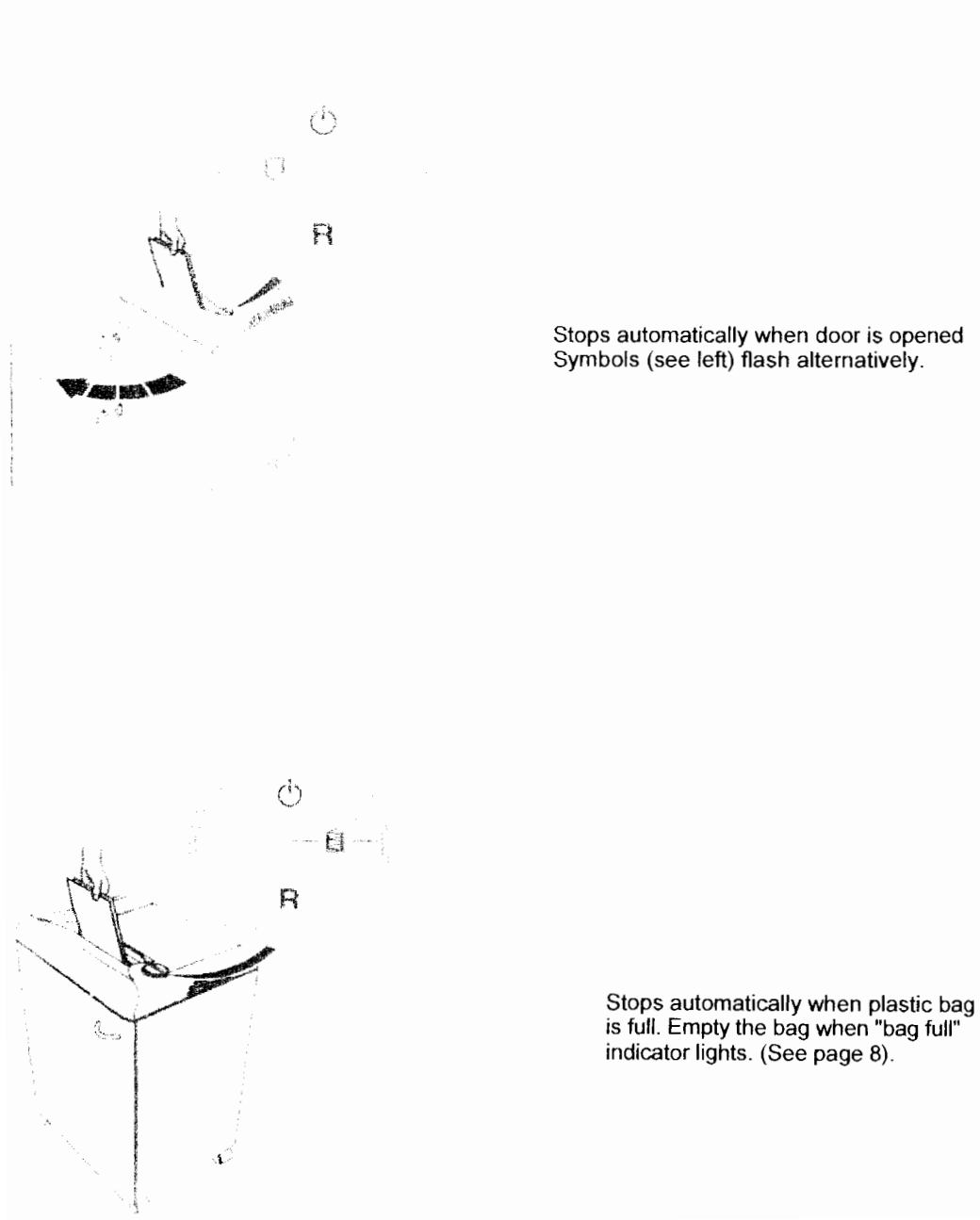
Press the rocker switch; green light is on, the machine is now ready for operation.

Starts automatically when paper is inserted.

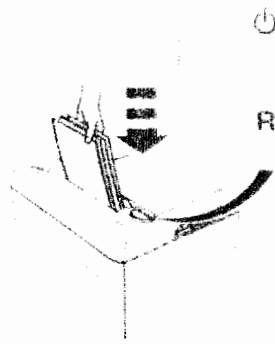


Stops automatically when no further paper is inserted

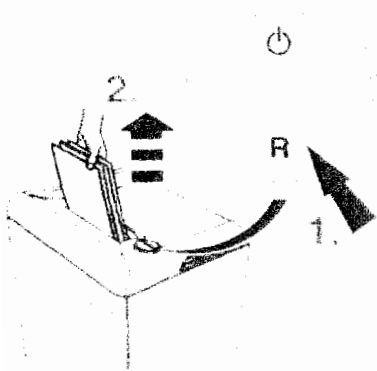
• Operation



• Operation



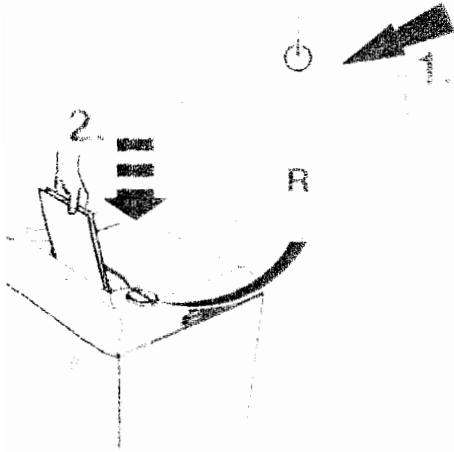
Stops automatically if too much paper is inserted. Automatic reverse if paper jams (Symbol "ON/OFF" flashes).



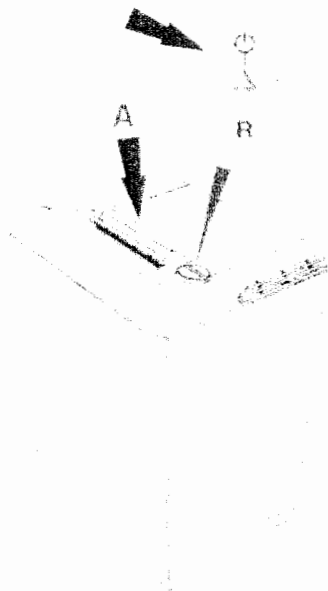
Press the rocker switch "R" and remove paper. (Machine runs for a short time in reverse, if required repeat several times)

• Operation

---



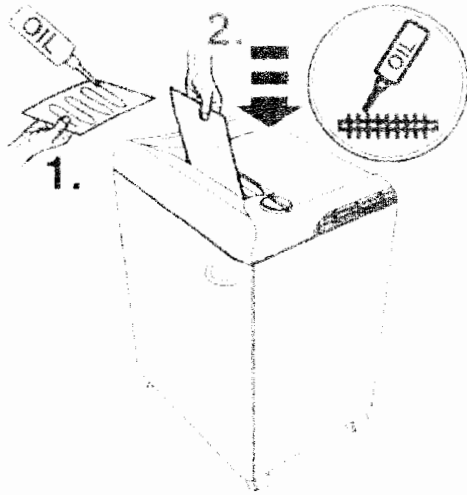
Reset by pressing the rocker switch  
Re-feed the paper in smaller quantities



Automatic stop if safety flap is opened (symbols flash alternatively). Close the safety flap and press the rocker switch, paper is shredded. To remove any paper debris from a paper jam the machine runs for a short time forwards with open safety flap. If required press the rocker switch several times.

• Maintenance and cleaning

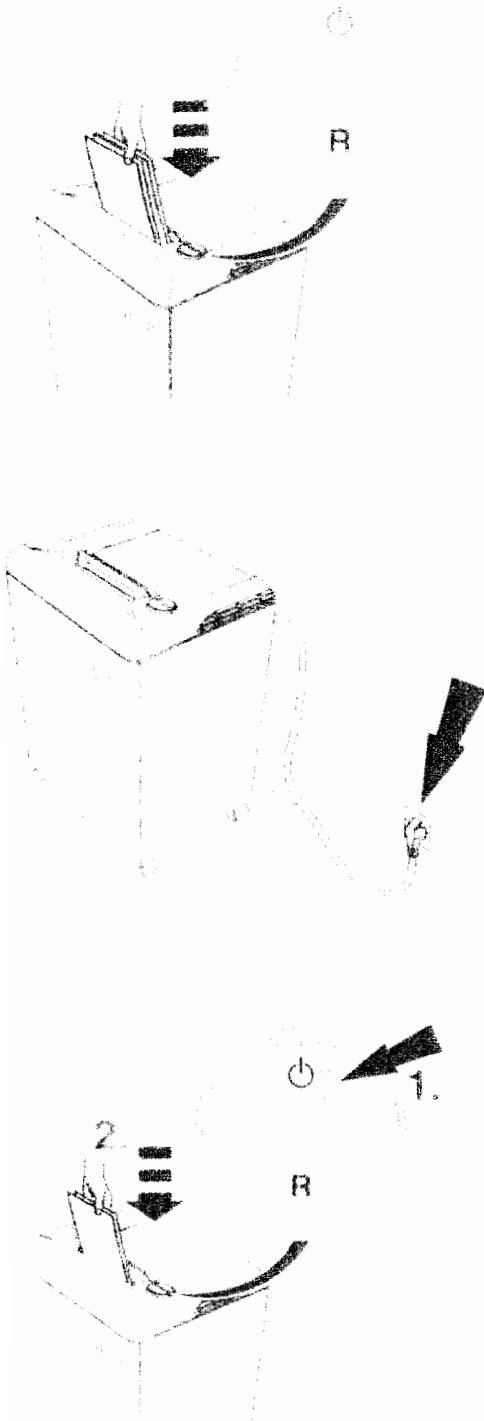
---



If the sheet capacity reduces or after the shred bin is emptied oil the shredding mechanism! (see picture)

Ver. 1.1 (15.12)

• Possible malfunctions

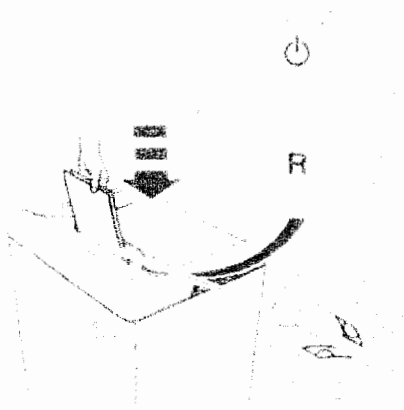


Machine will not start

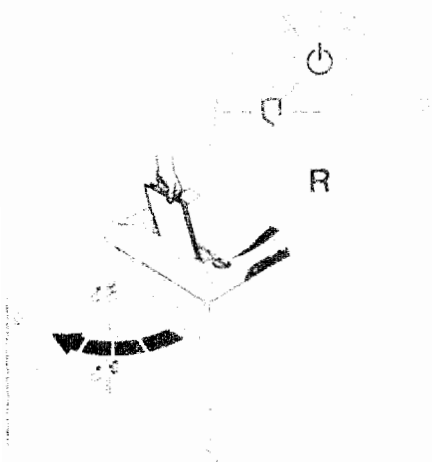
Is the machine plugged in?

Is the rocker switch pressed?  
The green light rocker switch is ON?

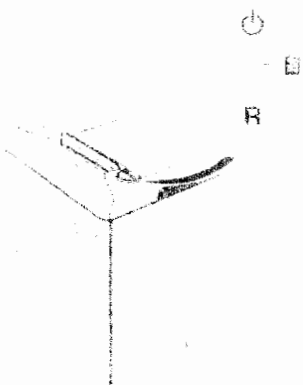
• Possible malfunctions



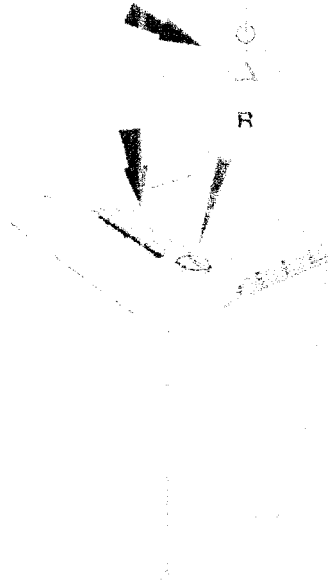
Feed the paper into the centre of the feed opening? (photo cell)



Door open?



Plastic bag full?



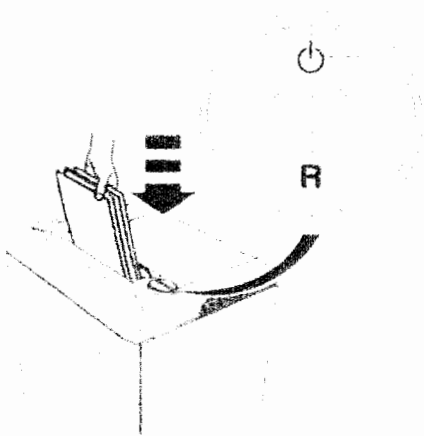
Safety flap open?

• Possible malfunctions

---



Machine will not stop.  
Remove plug. Clean the photo cell with a small brush.



**Machine stops.**  
Overload protection. Cooling down period approx. 10-15 minutes. (Symbols flash alternatively).

**Machine Specifications:**

	<b>2125S</b>	<b>2125P</b>
<b>Shred Capacity:</b>	<b>Up to 16 Sheets</b>	<b>Up to 8 Sheets</b>
<b>Shred Size:</b>	<b>5/32"</b>	<b>5/32"x 1-5/32"</b>
<b>Throat Width:</b>	<b>10-1/4"</b>	<b>10-1/4"</b>
<b>Horsepower:</b>	<b>3/4HP</b>	<b>3/4HP</b>
<b>Dimensions:</b>	<b>19-2/3"H x 14-7/8"W x 28-1/3"D</b>	<b>19-2/3"H x 14-7/8"W x 28-1/3"D</b>
<b>Weight:</b>	<b>60lbs</b>	<b>63lbs</b>
<b>Power:</b>	<b>115V/1/60</b>	<b>115V/1/60</b>

## USING AND ORDERING SPARE PARTS

- Only use original SEM spare part replacements We guarantee their quality and functional reliability  
Warranty claims on parts and/or service must be approved by SEM's Customer Service Manager

## HINTS FOR ORDERING SPARE PARTS

The spare parts shown on the following pages have part numbers. This spare parts list shows the following information with respect to the spare parts to be ordered.

- Part No.
- Designation
- Dimensions
- Item No.
- Quantity

In order to avoid errors and the delivery of wrong parts, each parts order should contain the following information.

- Machine Type and Serial No. (See nameplate)
- Part No. and designation of desired spare parts
- Quantity of desired spare parts
- Desired mode of shipment (e.g. post, freight, express)
- Full address of purchaser

## RECOMMENDED SPARE/OPTIONAL ITEMS AVAILABLE

Replacement Plastic Waste Bags Part No. 638SB138 Shredder  
Lubricating Oil, Case of 8 pints, Part No. 649OIL8 Shredder  
Lubricating Oil, Case of 16 pints, Part No. 649OIL16

## PRODUCT WARRANTY

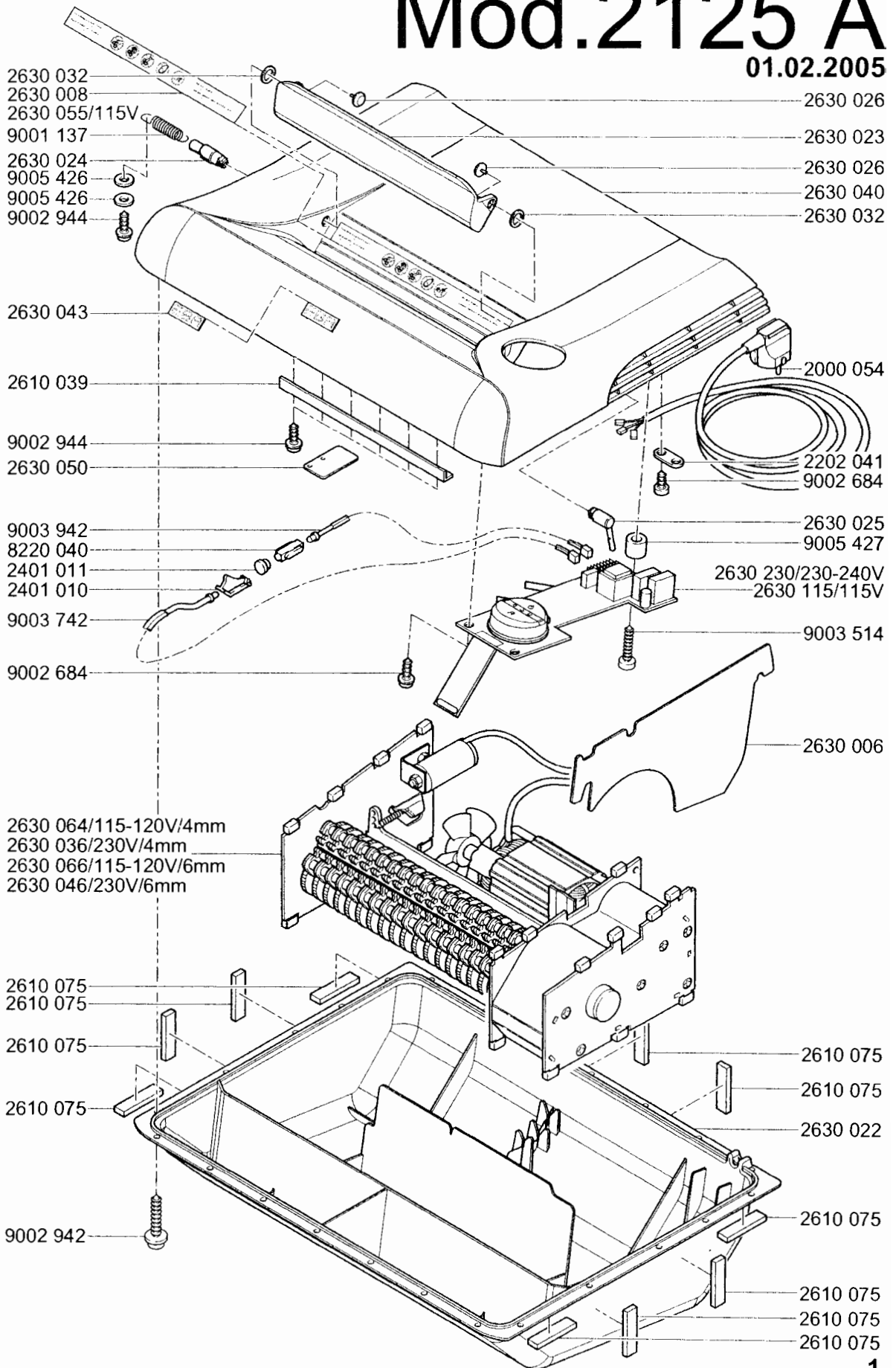
---

SEM warrants for a period of one (1) year from the date of shipment that the product be free from defects in material and workmanship when used under normal operating conditions. Excluded from warranty normal wear items cutters, belts, chain, switches, PC boards, optics and electrical components. These items are not included for consideration unless the components are deemed defective. Warranty does not cover damages by freight handlers, misuse, neglect, act of nature, unauthorized modification or the use of other than factory SEM components.

Executive models carry a one (1) year labor warranty, which requires all warranty labor to be performed at SEM factory Westboro, MA. Warranty is conditional on notification to SEM's customer service department by calling 508-366-1488. All materials being returned for warranty credit must have the requested return goods authorization number furnished by the customer service department. All shipping costs on returned materials must be prepaid by the customer only return the portion of the machine requiring repair. I.E. cutting head or cabinet, verify with customer service before shipment. Cartons must be marked on the outside with the RGA number. SEM, at our discretion reserves the right to repair or replace unit covered under warranty.

# Mod.2125 A

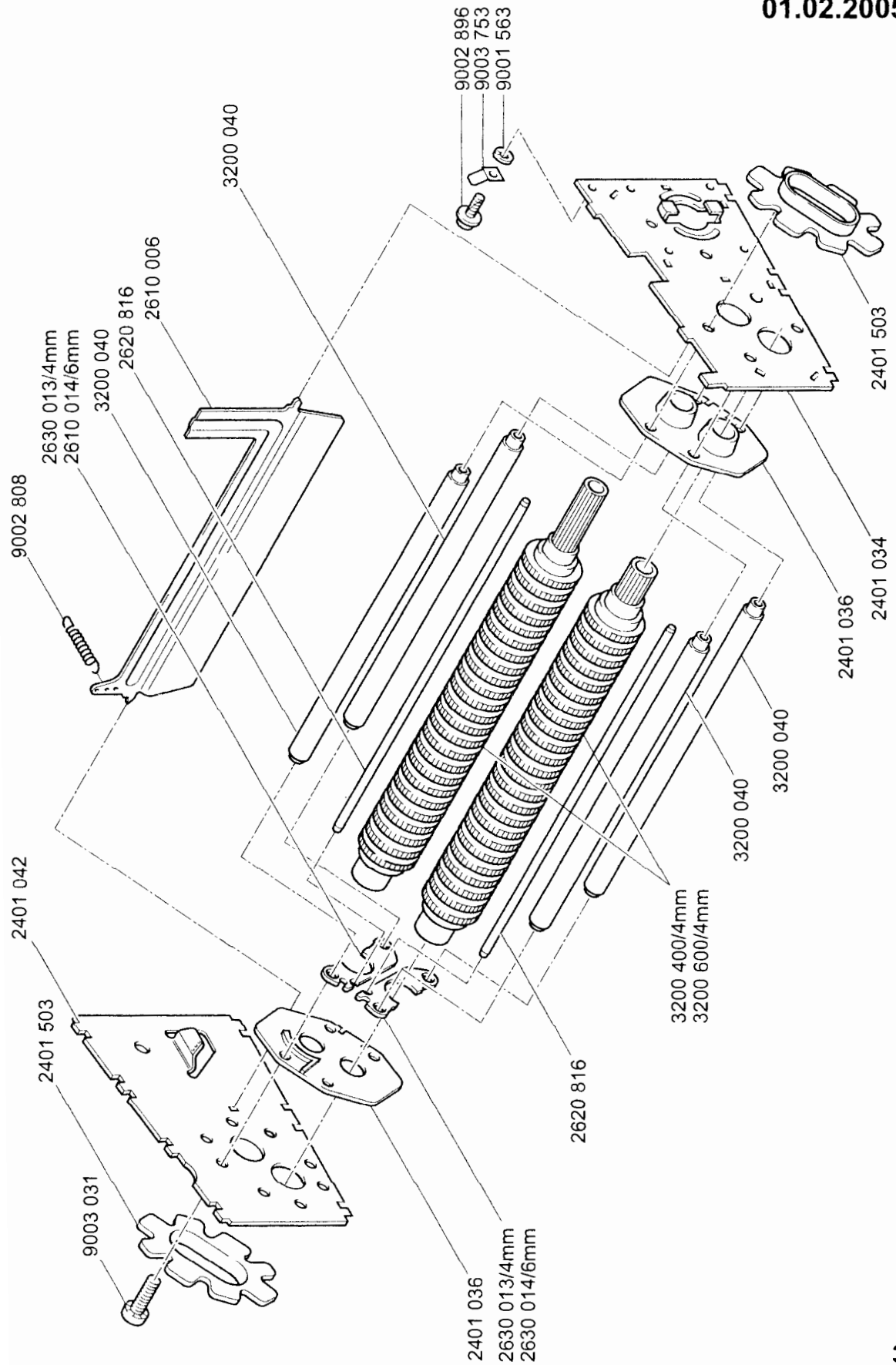
01.02.2005





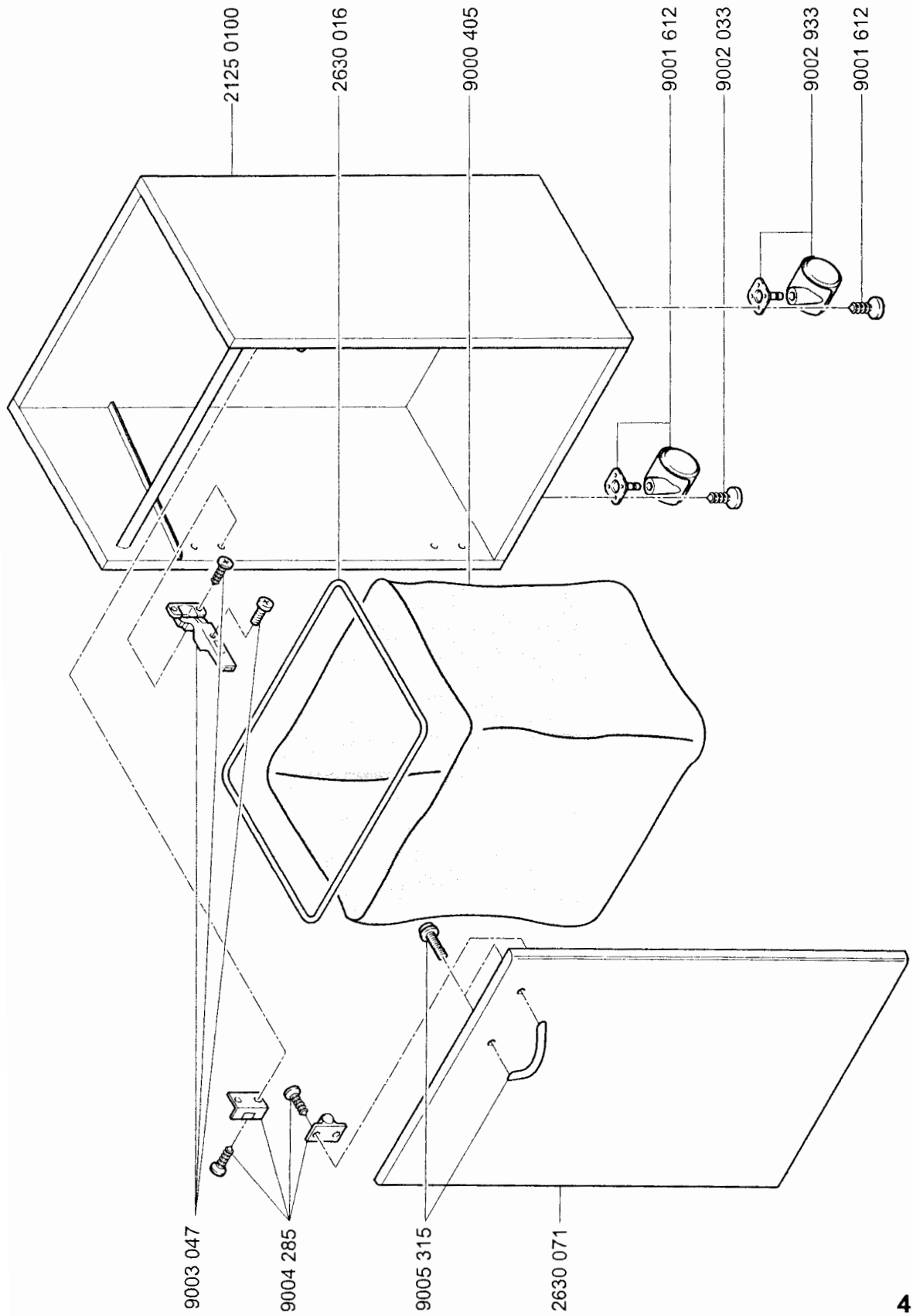
# Mod.2125 A

01.02.2005



# Mod.2125 A

01.02.2005

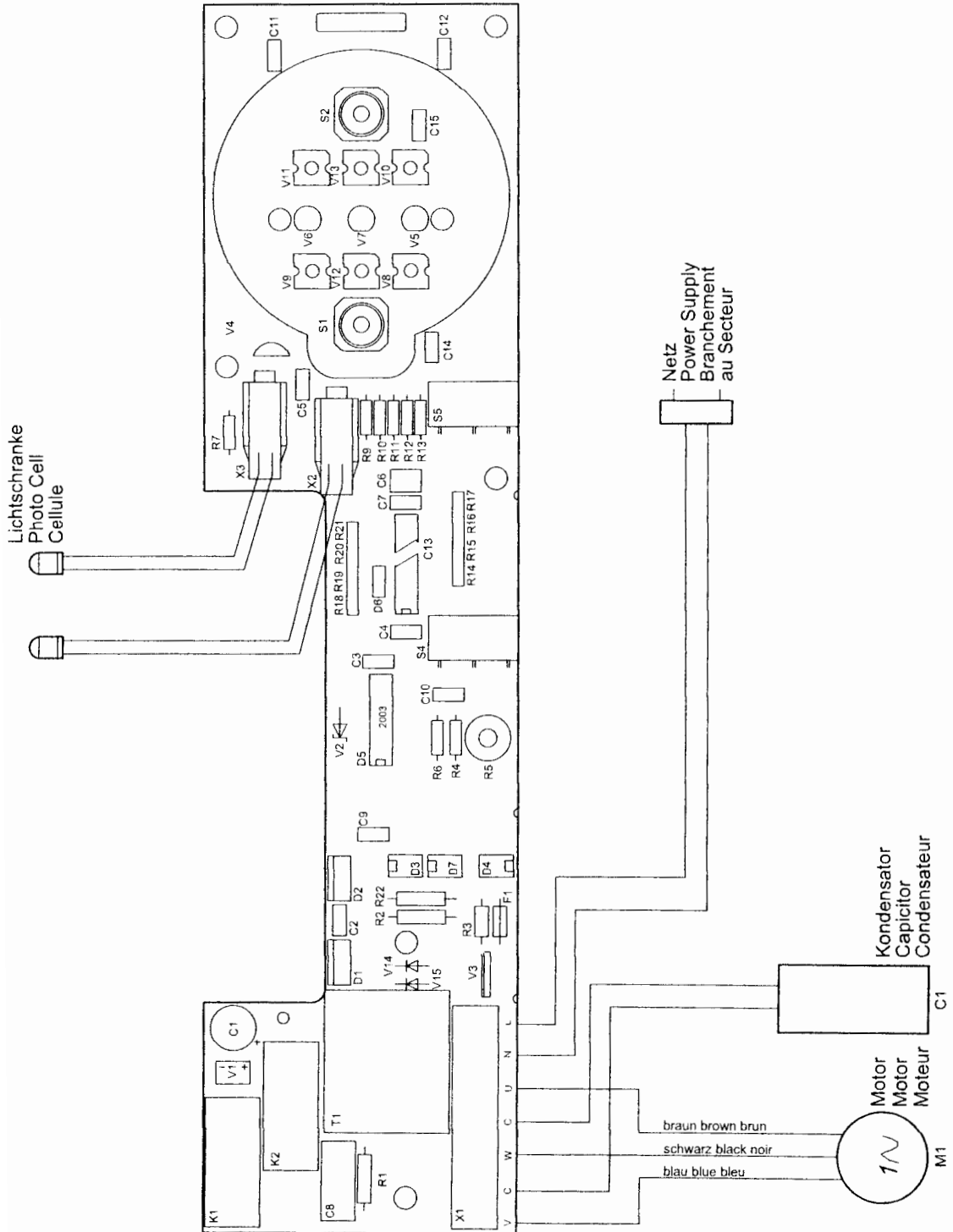


# Mod.2125 A

01.02.2005

Anschlußplan 2125 A  
Diagramme de branchement 2125 A  
Conecting diagram 2125 A

100-230V



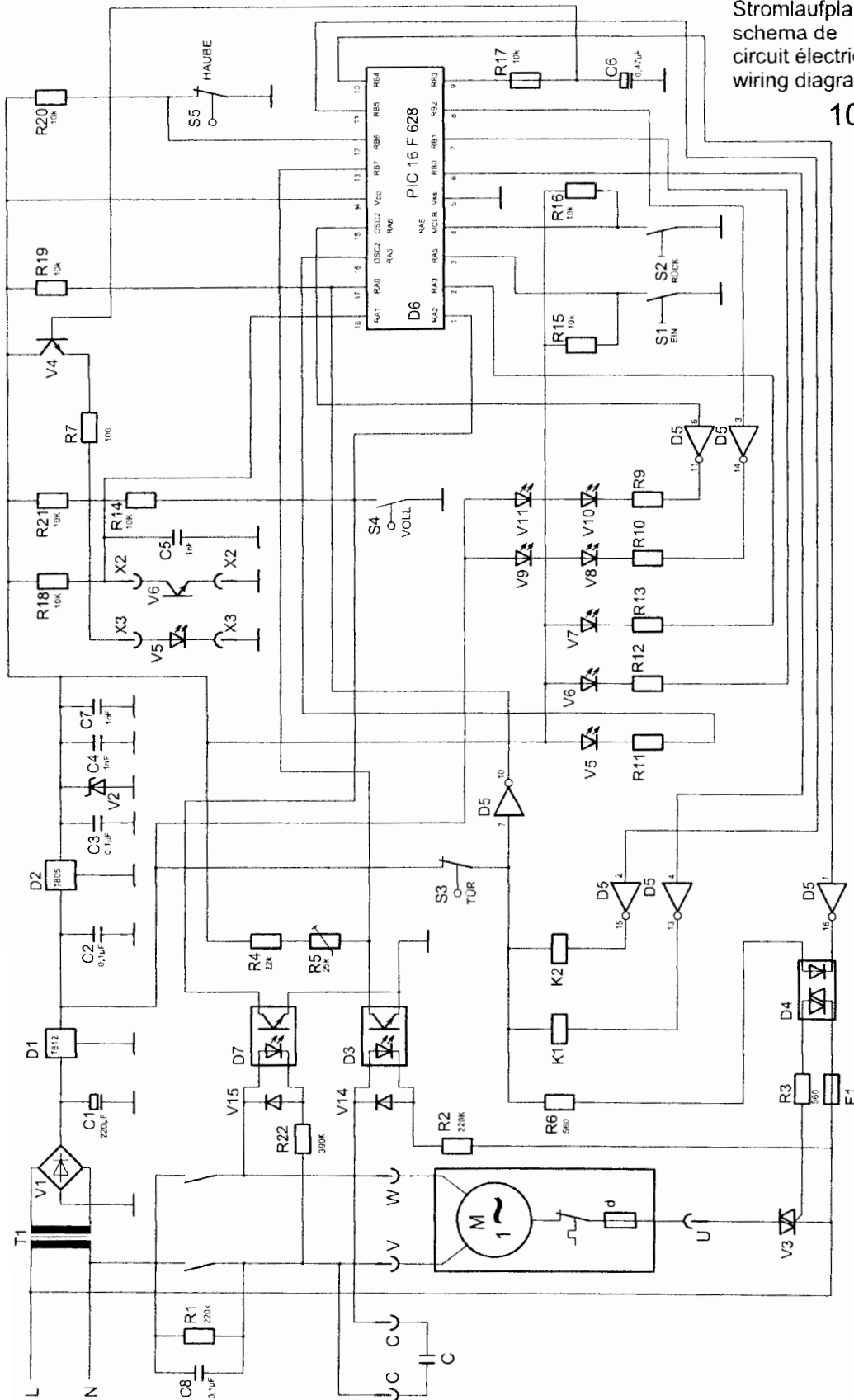
2630 062

# Mod.2125 A

01.02.2005

Stromlaufplan 2125 A  
schema de  
circuit électrique 2125 A  
wiring diagram 2125 A

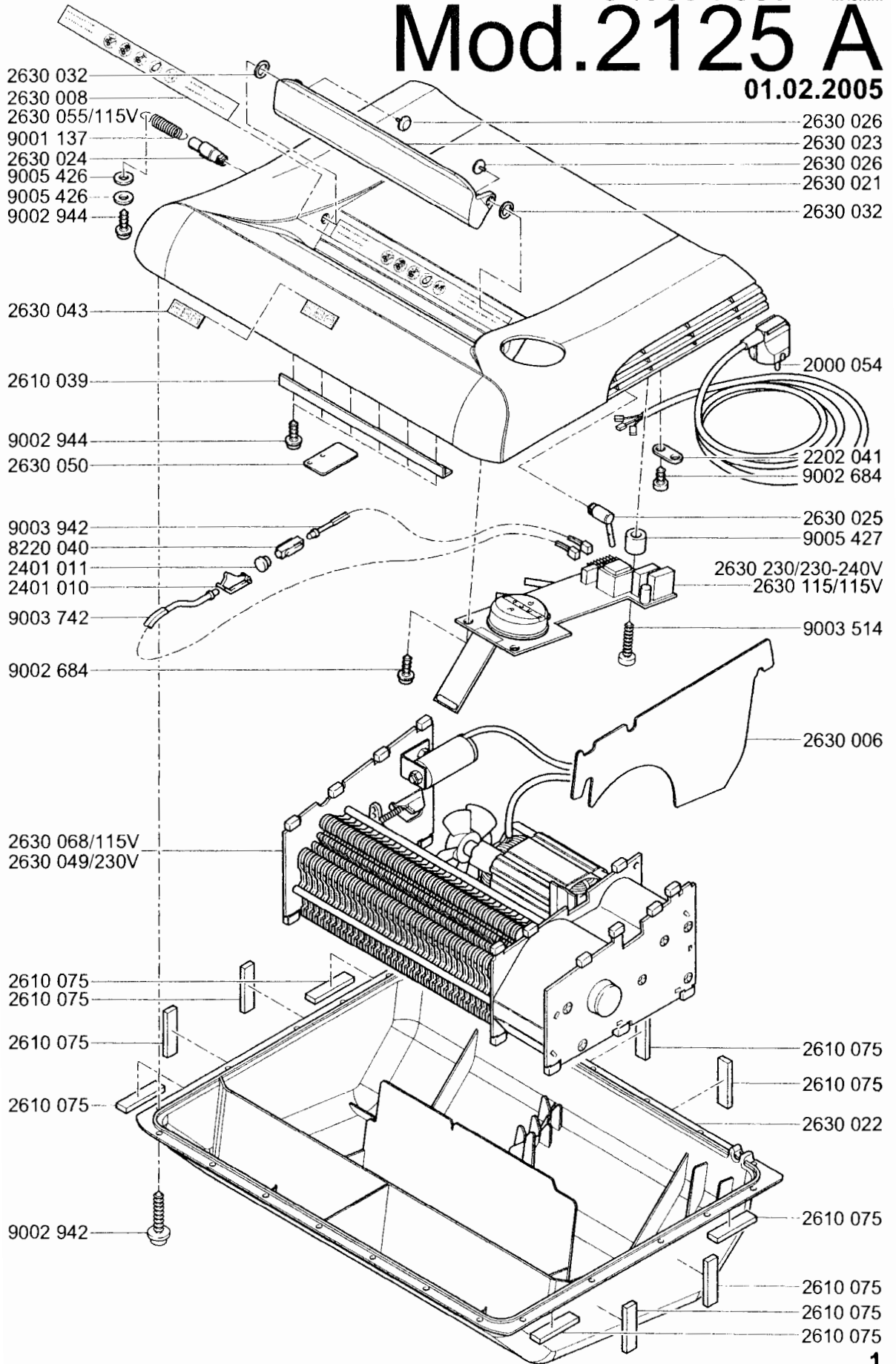
100-230V



2630 063

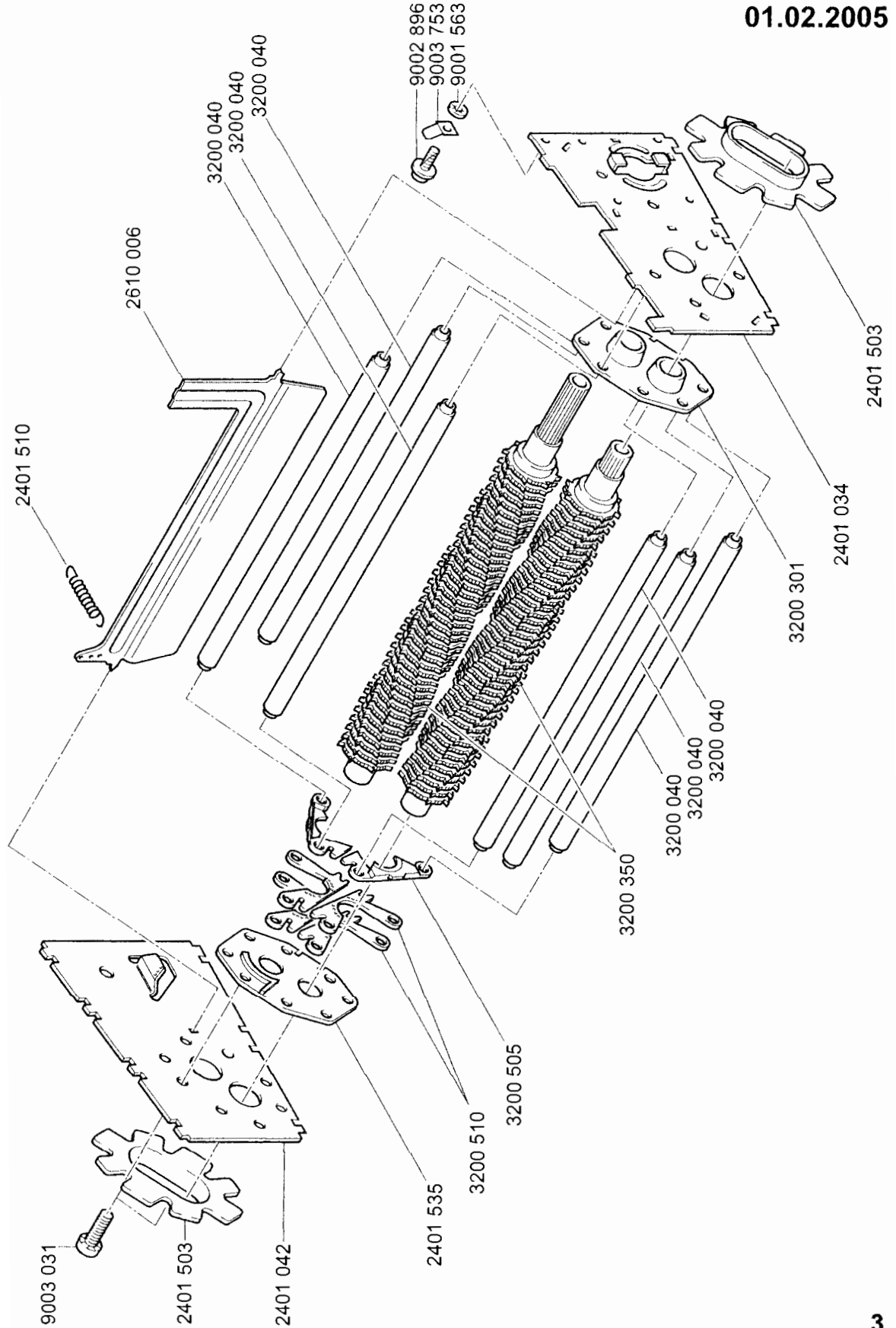
# Mod.2125 A

01.02.2005

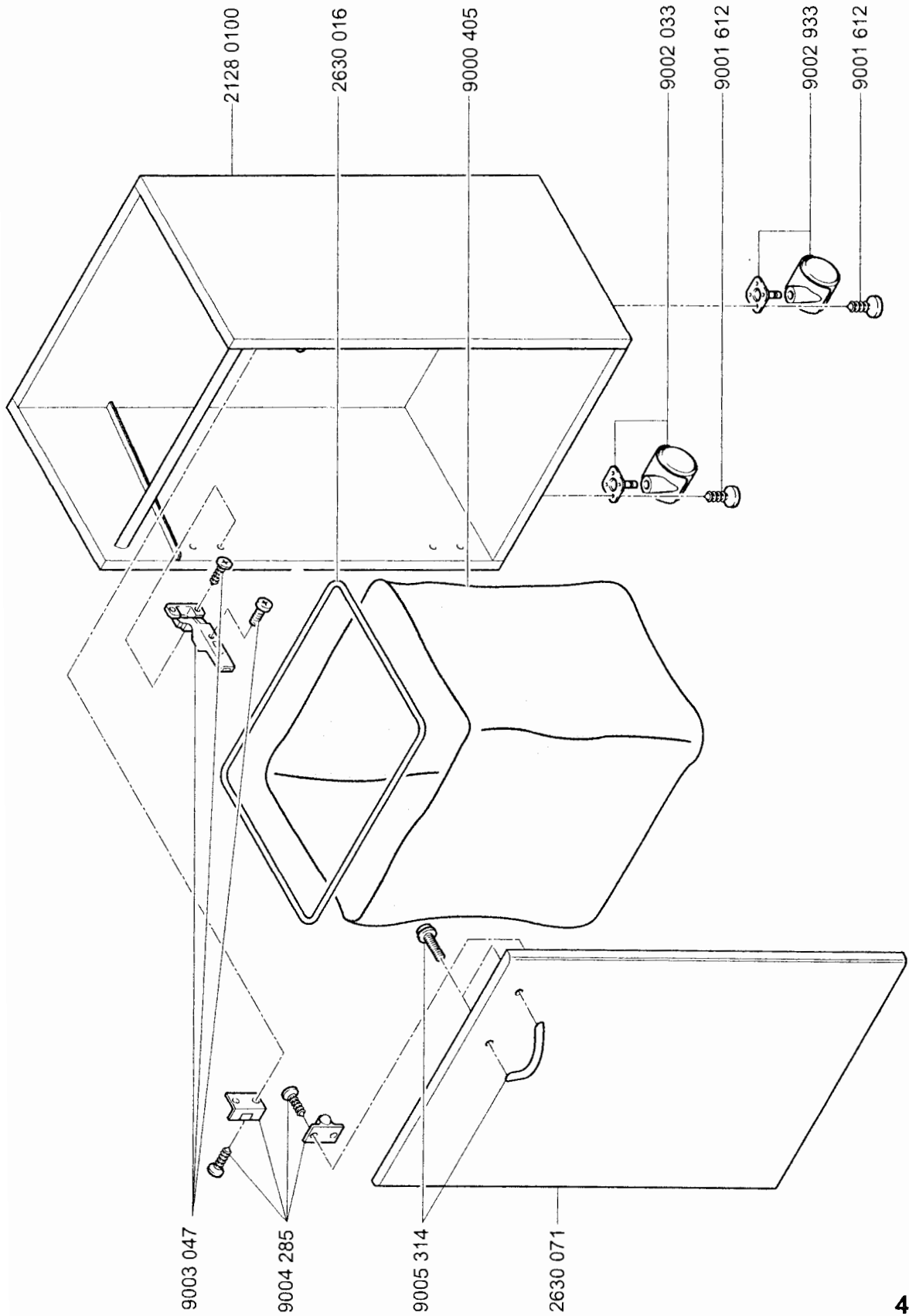




CROSS / CUT  
**Mod. 2125 A** 4x40mm  
01.02.2005



CROSS / CUT 4x40mm  
**Mod.2125 A**  
01.02.2005

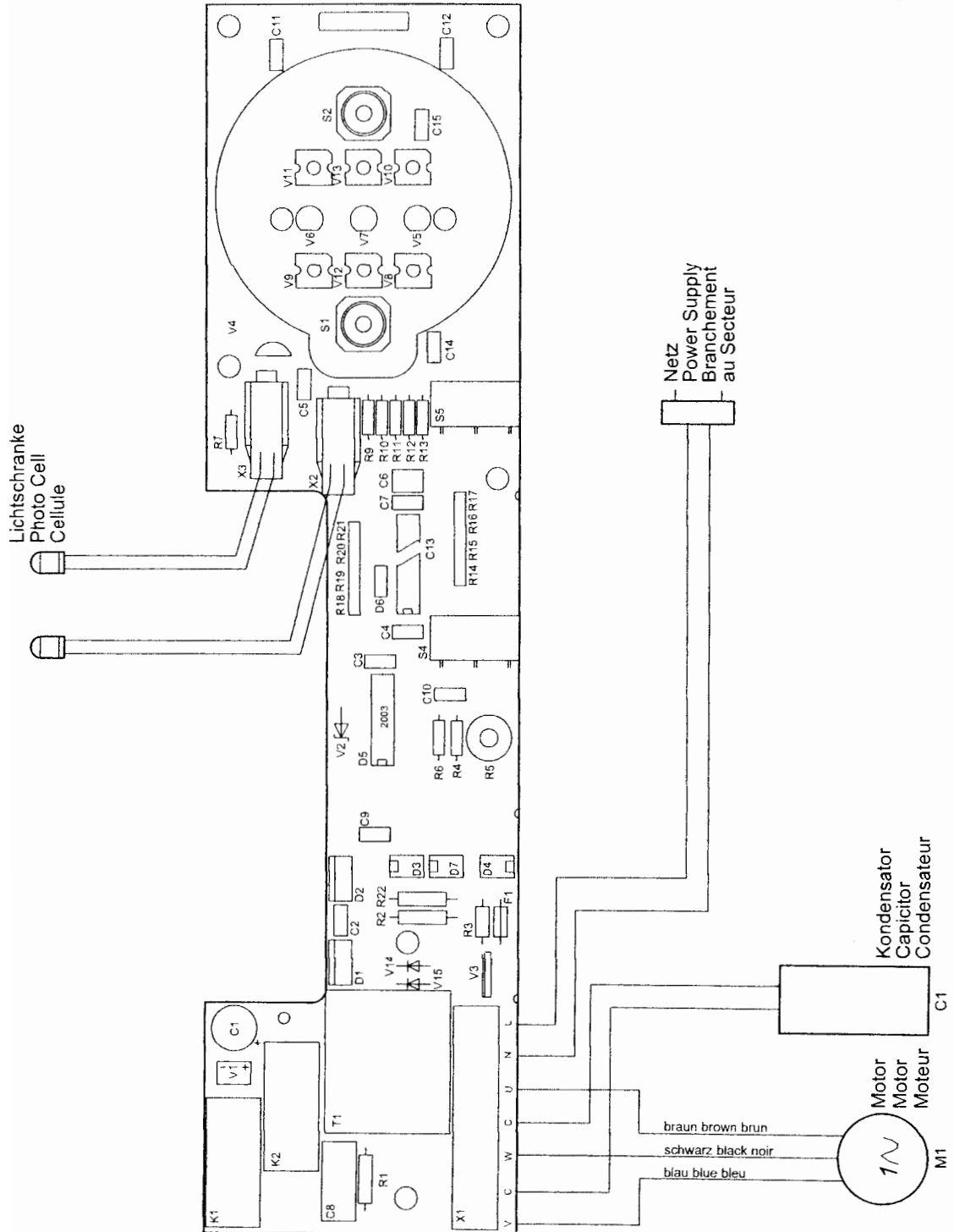


# CROSS / CUT 4x40mm Mod.2125 A

01.02.2005

Anschlußplan 2125 A  
Diagramme de branchement 2125 A  
Conecting diagram 2125 A

100-230V



2630 062

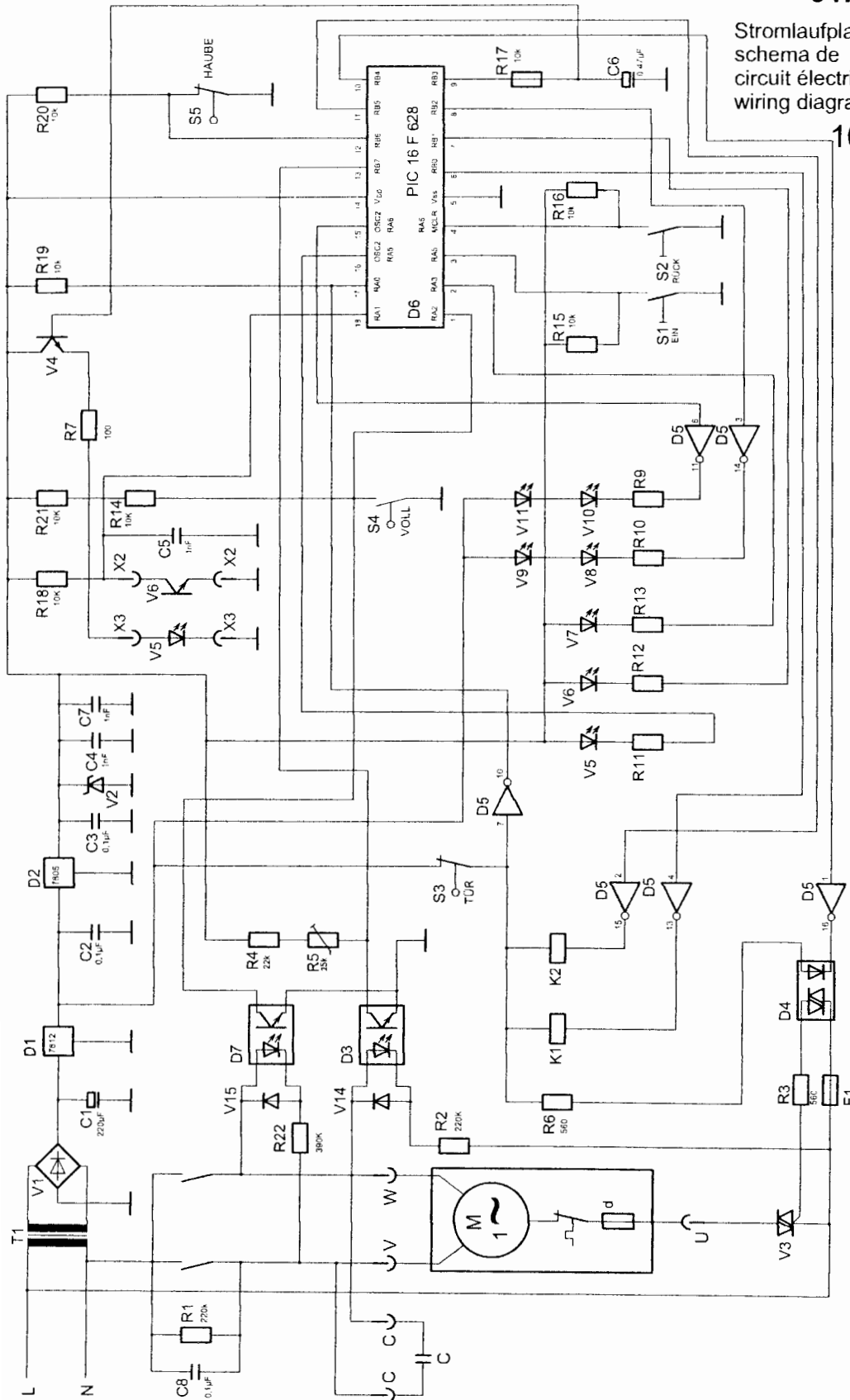
# CROSS / CUT 4x40mm

# Mod.2125 A

01.02.2005

Stromlaufplan 2125 A  
 schema de  
 circuit électrique 2125 A  
 wiring diagram 2125 A

100-230V



2630 063